



STRONG CONNECTION. SAFER TOMORROW.

BUILT FOR PERFORMANCE

ENGINEERED FOR
EXCELLENCE



Excellence in
every detail



Quality product for
every connection



Explore our
product range today

CATALOGUE



HIGH
CONDUCTIVITY



CORROSION
RESISTANT



PRECISION
ENGINEERED



TRUSTED
QUALITY

CONTENT

S.No.	DESCRIPTION	PAGE NO.
1	ABOUT US	1-3
2	Copper Tube Terminals (Medium Duty)	4
3	Copper Tube Terminals (Long Barrel)	5
4	Copper Tube Terminals (Heavy Duty)	6
5	Copper Tube Terminals Heavy Duty (Long Barrel)	7
6	Copper Tube Terminals (DIN 46235)	8-9
7	Copper Tube Terminals (Extended Palm)	10
8	Copper Tube Terminal (D.L.W.)	11
9	Copper Tube Terminal (C.L.W.)	12
10	Copper Tube Terminal (I.C.F.)	13-14
11	Copper Reducer Terminals	15
12	Copper Tube In-Line Connector	16
13	Copper Tube In-Line Connector (Long Barrel)	17
14	Copper Tube In-Line Connector (DIN 46267)	18
15	Copper Tube In-Line Connector (Insulated)	19
16	Copper Tube In-Line Connector (D.L.W.)	20
17	Aluminium Tube Terminals	21
18	Aluminium Tube Terminals (Long Barrel)	22
19	Aluminium Tube Terminals (For Xlpe Conductor)	23
20	Aluminium Tube Terminals -Bimetallic (Electro Tin Plated)	24
21	Aluminium Reducer Terminals	25
22	Aluminium Tube In-Line Connector	26
23	Aluminium Tube In-Line Connector (For Xlpe Conductor)	27
24	Bi-Metallic Terminals	28
25	Copper Ring Terminals	29-30
26	Copper Ring Terminals (Insulated)	31
27	Copper Ring Terminals (Pre-Insulated)	32
28	Copper Fork Terminals	33
29	Copper Pin Terminals	34
30	Copper Pin Terminals (Insulated & Pre-Insulated)	35
31	End Sealing Ferrules	36
32	DC Type Medium Duty Brass Cable Glands (Weather Proof)	37
33	DC Type Brass Cable Glands(Weather Proof, SBW Series)	38
34	SC Brass Cable Glands (SIBG Series)	39
35	PG Glands and Accessories	40
36	SC Brass Cable Glands (Medium Duty)	41

About Swastik :

ENGINEERED CONNECTIONS. TRUSTED PERFORMANCE.

At SWASTIK, we design and manufacture high-performance cable connection solutions that power critical electrical infrastructure.

Established in 1990 and based in Kolkata, West Bengal, we specialize in manufacturing Cable Lugs and Cable Glands engineered for maximum conductivity, mechanical strength, and long-term reliability.

With over three decades of manufacturing expertise, SWASTIK has built a reputation for delivering:

- Precision-engineered components
- Consistent electrical performance
- Reliable connections in demanding environments

Our products are trusted where failure is not an option.

Because every electrical connection carries responsibility.

DESIGNED FOR CRITICAL ELECTRICAL APPLICATIONS

SWASTIK products are engineered to meet the performance demands of:

- Power Generation & Distribution Systems
- Industrial Panels & Switchgear Assemblies
- Infrastructure & EPC Projects
- OEM & Electrical Contractors

PRODUCT RANGE

We manufacture a comprehensive range of:

- Copper Compression Lugs
- Aluminium Lugs
- Bimetallic Lugs
- Cable Glands
- Connectors & Earthing Accessories

ENGINEERING PHILOSOPHY

Our design approach focuses on:

- Optimized current flow geometry
- Uniform crimping compatibility
- Minimized thermal losses
- Enhanced joint reliability

WHY RAW MATERIAL SELECTION MATTERS

Poor material quality leads to:

- Increased resistance
- Heat generation
- Joint failure

QUALITY ASSURANCE SYSTEM

Our quality control process includes:

- Raw material chemical & physical verification
- Dimensional accuracy inspection
- Crimping performance validation
- Electrical conductivity testing
- Surface finish & plating inspection

SURFACE PROTECTION

Products are treated with:

- Electro tin plating (for copper lugs)
- Corrosion-resistant finishes

This Ensures

- Protection against oxidation
- Long-term durability in harsh environments

PRODUCT ENGINEERING FEATURES (LIKE COMPETITOR BUT BETTER) BUILT FOR PERFORMANCE. DESIGNED FOR RELIABILITY.

1. SUPERIOR CONDUCTIVITY

Optimized barrel design ensures maximum contact area, resulting in:

- Efficient current flow
- Minimal energy loss

2. HIGH MECHANICAL STRENGTH

Engineered structure provides:

- Strong crimp grip
- Resistance to vibration and mechanical stress

3. CORROSION RESISTANCE

Surface treatments protect against:

- Oxidation
- Environmental degradation

4. PRECISION DIMENSIONAL CONTROL Ensures:

- Perfect fit with conductors
- Consistent installation quality

5. INSTALLATION RELIABILITY

Design features like:

- Smooth entry barrel
- Uniform wall thickness

Ensure:

- Easy insertion
- Reliable crimping
- Reduced installation errors

6. COST-EFFICIENCY

Optimized manufacturing delivers:

- Lower installation cost
- Reduced maintenance needs

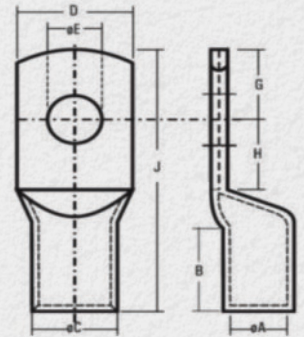
FINAL BRAND STATEMENT SWASTIK

is not just a manufacturer - we are a reliability partner
in every electrical connection.

Copper Tube Terminals Medium Duty

Material : EC Grade Copper (Cu ≥ 99.9%)

Finish : Electro Tinned



No inspection window is ideal for corrosive environments. Barrel is designed with an internal chamfer at the wire entry to ensure smooth insertion of the wire. Short/Standard length barrel is recommended for installations with limited space requirements

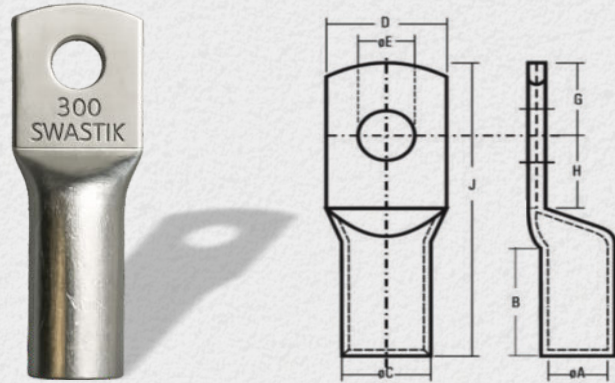
Product Code	Conductor	Stud Size	Dimensions						
	mm ²	E	A	C	D	B	H	G	J
SCS-05	2.5	M5	2	3.7	9	7	5	5	20
SCS-06	4	M6	3.1	4.8	11	7	6	6	22
SCS-07	6	M6	3.8	5.5	11	9	6	6	24
SCS-08	10	M6	4.4	6.2	11	9	6	6	24
SCS-09	16	M6	5.3	7.1	11	12	8	6	30
SCS-09A		M8			12				
SCS-10	25	M6	7	9	13	12	12	8	37
SCS-10A		M8							
SCS-11	35	M6	8	10	15	12	12	8	37
SCS-12		M8							
SCS-13	50	M6	9.2	11.2	16	16	11	10	45
SCS-14		M8							
SCS-15		M10							
SCS-16	70	M8	11.6	13.8	20	18	15	13	56
SCS-17		M10							
SCS-18		M12							
SCS-19	95	M10	12.8	15.6	23	20	15	13	58
SCS-20		M12							
SCS-21	120	M10	14.8	17.8	26	22	16	14	62
SCS-22		M12							
SCS-23		M16							
SCS-24	150	M10	16	19.6	28	26	18	15	70
SCS-25		M12							
SCS-26		M16							
SCS-27	185	M12	18	22	32	30	21	21	83
SCS-28		M16							
SCS-231	225	M16	20	24	35	34	24	24	95
SCS-29	240	M16	22	26	38	36	24	24	97
SCS-30		M20							
SCS-31	300	M16	24	28.7	42	39	26	25	103
SCS-32		M20							
SCS-33	400	M20	28	33.2	49	44	27	27	116
SCS-34	500	M20	30	36	53	48	27	27	120
SCS-35	630	M20	35	41.5	61	55	33	31	137
SCS-062	800	---	39	46.3	67	65	38	37	165
SCS-076	1000	---	43	53.8	76	90	45	45	210

Tolerance: +/- 2%

Copper Tube Terminals

Long Barrel

Material : EC Grade Copper (Cu ≥ 99.9%)
Finish : Electro Tinned



No inspection window is ideal for corrosive environments. Barrel is designed with an internal chamfer at the wire entry to ensure smooth insertion of the wire. Long barrel allows for an increased number of crimps which will increase the mechanical strength of the connection.

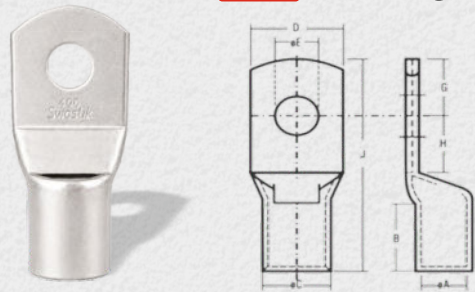
Product Code	Conductor mm ²	Stud Size	Dimensions						
			A	C	D	B	H	G	J
SCEB-05	2.5	M5	2	3.7	9	10.5	5	5	23.5
SCEB-06	4	M6	3.1	4.8	11	10.5	6	6	25.5
SCEB-07	6	M6	3.8	5.5	11	13.5	6	6	28.5
SCEB-08	10	M6	4.4	6.2	11	13.5	6	6	28.5
SCEB-09	16	M6	5.3	7.1	11	18	8	6	36
SCEB-10	25	M6	7	9	13	18	12	8	43
SCEB-11	35	M6	8	10	15	18	12	8	43
SCEB-12		M8							
SCEB-13	50	M6	9.2	11.2	16	24	11	10	53
SCEB-14		M8							
SCEB-15		M10							
SCEB-16	70	M8	11.6	13.8	20	27	15	13	65
SCEB-17		M10							
SCEB-18		M12							
SCEB-19	95	M10	12.8	15.6	23	30	15	13	68
SCEB-20		M12							
SCEB-21	120	M10	14.8	17.8	26	33	16	14	73
SCEB-22		M12							
SCEB-23		M16							
SCEB-24	150	M10	16	19.6	28	39	18	15	83
SCEB-25		M12							
SCEB-26		M16							
SCEB-27	185	M12	18	22	32	45	21	21	98
SCEB-28		M16							
SCEB-231	225	M16	20	24	35	51	24	24	112
SCEB-29	240	M16	22	26	38	54	24	24	115
SCEB-30		M20							
SCEB-31	300	M16	24	28.7	42	58	26	25	122
SCEB-32		M20							
SCEB-33	400	M20	28	33.2	49	66	27	27	138
SCEB-34	500	M20	30	36	53	72	27	27	144
SCEB-35	630	M20	35	41.5	61	83	33	31	165
SCEB-62	800	---	39	46.3	67	98	38	37	198
SCEB-76	1000	---	43	53.8	76	135	45	45	255

Tolerance: +/- 2%

Copper Tube Terminals

Heavy Duty

Material : EC Grade Copper (Cu ≥ 99.9%)
Finish : Electro Tinned



Inspection window allows for visual verificatio that the wire has been fully inserted prior to crimping the lug
Barrel is designed with a internal chamfer at the wire entry to ensure smooth insertion of the wire
Short/Standard length barrel is recommended for installation with limited space requirements

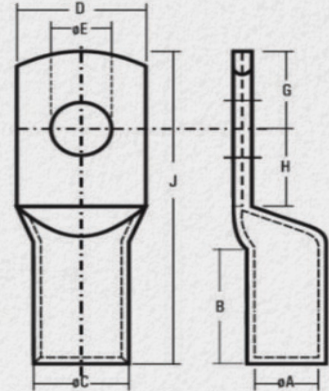
Product Code	Conductor mm2	Stud Size E	Dimensions						
			A	C	D	B	H	G	J
SCS-538	1.5	M5	1.8	3.7	8	5	5	4	16
SCS-539		M6			10		6	5	18
SCS-388	2.5	M4	2.4	4	8	7	5	4	18
SCS-540		M5			10		6	5	20
SCS-541		M6			10		6	5	20
SCS-389	4	M5	3.1	4.8	10	7	6	5	20
SCS-543		M6							
SCS-390	6	M5	3.8	5.5	10	9	6	5	23
SCS-544		M6			12		9	6	27
SCS-545		M8			12		9	6	27
SCS-353	10	M6	4.5	6.2	12	9	7	6	25
SCS-547		M8					9		27
SCS-354	16	M6	5.4	7.1	12	12	7	7	30
SCS-549		M8					9		32
SCS-550	20	M8	6	7.7	12	12	9	7	32
SCS-355	25	M6	6.8	8.8	13	12	7	7	30
SCS-551		M8			18		11	10	37
SCS-552		M10			18		11	10	37
SCS-542	35	M6	8.2	10.6	15	12	9	9	35
SCS-356		M8			15		9	9	35
SCS-554		M10			18		11	10	38
SCS-357	50	M8	9.5	12.4	18	16	11	10	43
SCS-556		M10							
SCS-358	70	M8	11.2	14.7	21	18	13	12	50
SCS-559		M12							
SCS-359	95	M10	13.5	17.4	25	20	13	13	55
SCS-561		M12							
SCS-241	120	M12	15	19.4	28	22	14	14	60
SCS-546		M16					16	16	64
SCS-242	150	M12	16.5	21.2	30	26	16	16	69
SCS-564		M16							
SCS-243	185	M16	18.5	23.5	34	32	17	17	78
SCS-244	240	M16	21	26.5	38	38	20	20	92
SCS-567		M20							
SCS-245	300	M16	23.5	30	43	42	22	22	101
SCS-569		M20							
SCS-246	400	M16	26.8	34.8	50	44	26	26	114
SCS-571		M20							
SCS-247	500	M20	30	39	56	48	28	28	124
SCS-248	630	M20	35	45	65	56	33	33	144
SCS-599	800	---	39	50.6	73	78	40	35	170
SCS-590	1000	---	43	56.2	81	90	45	45	200

Tolerance: +/- 2%

Copper Tube Terminals Heavy Duty & Long Barrel

Material : EC Grade Copper (Cu ≥ 99.9%)

Finish : Electro Tinned



No inspection window is ideal for corrosive environments. Barrel is designed with an internal chamfer at the wire entry to ensure smooth insertion of the wire. Long barrel allows for an increased number of crimps which will increase the mechanical strength of the connection.

Product Code	Conductor mm ²	Stud Size	Dimensions						
			A	C	D	B	H	G	J
SCS-282	25	M8	7	9	13	16	12	8	41
SCS-283	35	M8	8	10.6	15	20	14	9	48
SCS-284	50	M8	9.2	12.2	17	26	16	10	59
SCS-285	70	M10	11.5	15	20	28	19	12	66
SCS-286	95	M12	12.8	17	24	32	20	12	74
SCS-287	120	M12	14.8	19.6	28	35	23	14	82
SCS-288	150	M12	16	21.2	30	38	24	14	86
SCS-289	185	M12	18	24	34	43	23	17	95
SCS-290	240	M16	22	28	40	50	30	20	112
SCS-291	300	M16	24	31	44	54	32	20	120
SCS-292	400	M20	28	36	52	67	32	24	139
SCS-293	500	M21	30	41	58	80	34	22	156
SCS-294	630	M21	35	46	66	93	38	28	181

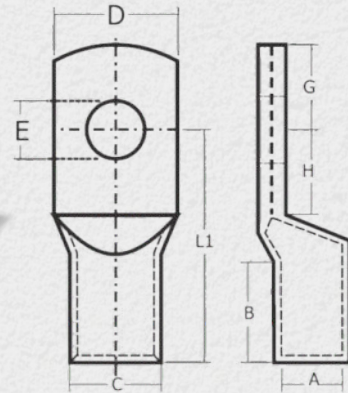
Tolerance: +/- 2%

Copper Tube Terminals - DIN 46235

Material : EC Grade Copper (Cu ≥ 99.9%)

Finish : Electro Tinned

Complies to Standard DIN 46235



No inspection window is ideal for corrosive environments. Barrel is designed with an internal chamfer at the wire entry to ensure smooth insertion of the wire. Long barrel allows for an increased number of crimps which will increase the mechanical strength of the connection.

Product Code	Conductor mm ²	Stud Size	Dimensions						
			A	C	D	B	H	G	L1
SDIN 6-5	6	M5	3.8	5.5	8.5	10	7.5	6.5	24
SDIN 6-6		M6			8.5		8	7.5	
SDIN 6-8		M8			13		10	10	
SDIN 10-5	10	M5	4.5	6	9	10	8.5	7	27
SDIN 10-6		M6			9		8.5	7.5	
SDIN 10-8		M8			13		10	10	
SDIN 16-6	16	M6	5.5	8.5	13	20	8	7.5	36
SDIN 16-8		M8			13		10	10	
SDIN 16-10		M10			17		12	12	
SDIN 16-12		M12			18		13	13	
SDIN 25-6	25	M6	7	10	14	20	8	7.5	38
SDIN 25-8		M8			16		10	10	
SDIN 25-10		M10			17		12	12	
SDIN 25-12		M12			19		13	13	
SDIN 35-6	35	M6	8.2	12.5	17	20	8	7.5	42
SDIN 35-8		M8			17		10	10	
SDIN 35-10		M10			19		12	12	
SDIN 35-12		M12			21		13	13	
SDIN 35-14		M14			21		14.5	14.5	
SDIN 50-8	50	M8	10	14.5	20	28	10	10	52
SDIN 50-10		M10			22		12	12	
SDIN 50-12		M12			24		13	13	
SDIN 50-14		M14			24		14.5	14.5	
SDIN 50-16		M16			28		16	16	
SDIN 70-8	70	M8	11.5	16.5	24	28	10	10	55
SDIN 70-10		M10			24		12	12	
SDIN 70-12		M12			24		13	13	
SDIN 70-14		M14			24		14.5	14.5	
SDIN 70-16		M16			30		16	16	
SDIN 95-8	95	M8	13.5	19	28	35	12	12	65
SDIN 95-10		M10			28		12	12	
SDIN 95-12		M12			28		13	13	
SDIN 95-14		M14			28		14.5	14.5	
SDIN 95-16		M16			32		16	16	

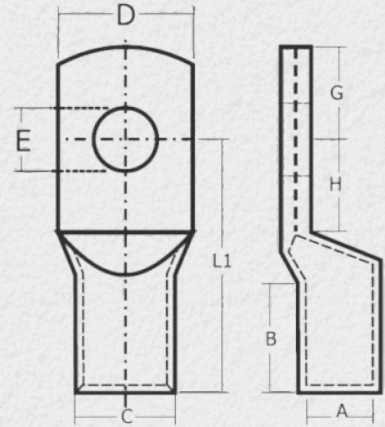
Tolerance: +/- 2%

Copper Tube Terminals - DIN 46235

Material : EC Grade Copper (Cu ≥ 99.9%)

Finish : Electro Tinned

Complies to Standard DIN 46235



No inspection window is ideal for corrosive environments. Barrel is designed with an internal chamfer at the wire entry to ensure smooth insertion of the wire. Long barrel allows for an increased number of crimps which will increase the mechanical strength of the connection.

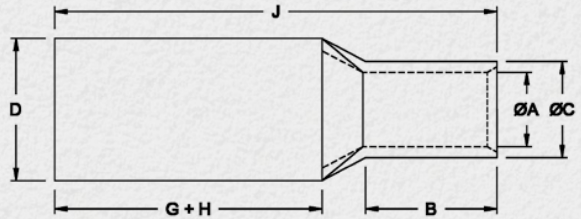
Product Code	Conductor mm ²	Stud Size	Dimensions						
			A	C	D	B	H	G	L1
SDIN 120-10	120	M10	15.5	21	32	35	16	15	70
SDIN 120-12		M12			32		17	16	
SDIN 120-14		M14			32		18	18	
SDIN 120-16		M16			32		20	19	
SDIN 120-20		M20			38		22	21	
SDIN 150-10	150	M10	17	23.5	34	35	16	15	78
SDIN 150-12		M12			34		17	16	
SDIN 150-14		M14			34		20	19	
SDIN 150-16		M16			34		20	19	
SDIN 150-20		M20			40		22	21	
SDIN 185-10	185	M10	19	25.5	37	40	16	15	82
SDIN 185-12		M12			37		17	16	
SDIN 185-14		M14			37		20	19	
SDIN 185-16		M16			37		20	19	
SDIN 185-20		M20			40		22	21	
SDIN 240-12	240	M12	21.5	29	42	40	17	16	92
SDIN 240-14		M14					20	19	
SDIN 240-16		M16					20	19	
SDIN 240-20		M20					22	21	
SDIN 300-14	300	M14	24.5	32	48	50	22	19	100
SDIN 300-16		M16					22	19	
SDIN 300-20		M20					22	22	
SDIN 400-14	400	M14	27.5	38.5	55	70	25	25	115
SDIN 400-16		M16					25	25	
SDIN 400-20		M20					25	25	
SDIN 500-16	500	M16	31	42	60	70	25	25	125
SDIN 500-20		M20					25	25	
SDIN 625-16	625	M16	34.5	44	60	80	25	25	135
SDIN 625-20		M20					25	25	
SDIN 800-16	800	M16	40	52	75	100	30	30	165
SDIN 800-20		M20					30	30	
SDIN 1000-21	1000	M21	44	58	85	100	20	25	165

Tolerance: +/- 2%

Copper Tube Terminals with Extended Palm - Blank

Material : EC Grade Copper (Cu ≥ 99.9%)

Finish : Electro Tinned



No inspection window is ideal for corrosive environments, Barrel is designed with an internal chamfer at the wire entry to ensure smooth insertion of the wire

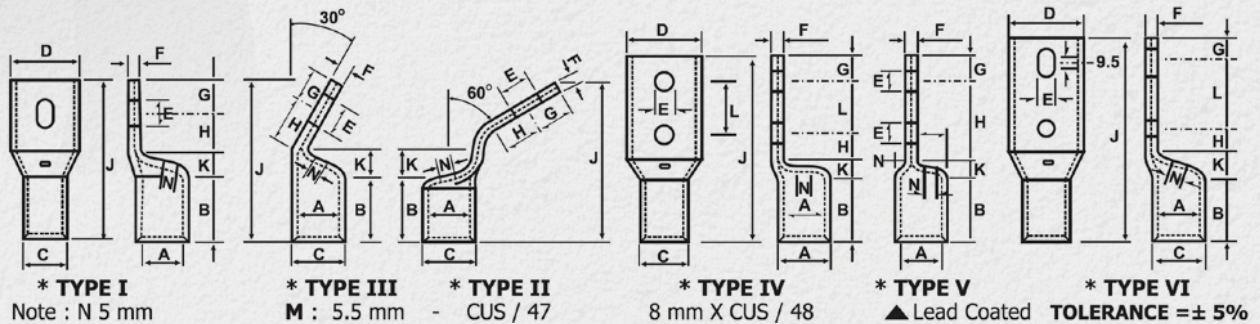
Product Code	Conductor mm ²	Dimensions					
		A	C	D	B	G+H	J
SCS-466	50	9.5	12.4	18	16	42	64
SCS-467	70	11.2	14.7	21	18	50	75
SCS-468	95	13.5	17.4	25	20	52	81
SCS-469	120	15	19.4	28	22	56	88
SCS-470	150	16.5	21.2	30	26	64	101
SCS-471	185	18.5	23.5	34	32	68	112
SCS-472	240	21	26.5	38	38	80	132
SCS-473	300	23.5	30	43	42	88	145
SCS-474	400	28.5	36.5	53	44	104	166
SCS-475	500	30	39	56	48	112	180
SCS-476	625	35	45	65	56	132	210

Tolerance: +/- 2%

Copper Tube Terminal - D.L.W.

Material : EC Grade Copper (Cu ≥ 99.9%)

Finish : Electro Tinned



Inspection window allows for visual verification that the wire has been fully inserted prior to crimping the lugs. Barrel is designed with an internal chamfer at the wire entry to ensure smooth insertion of the wire, Specially designed as per DLW specifications

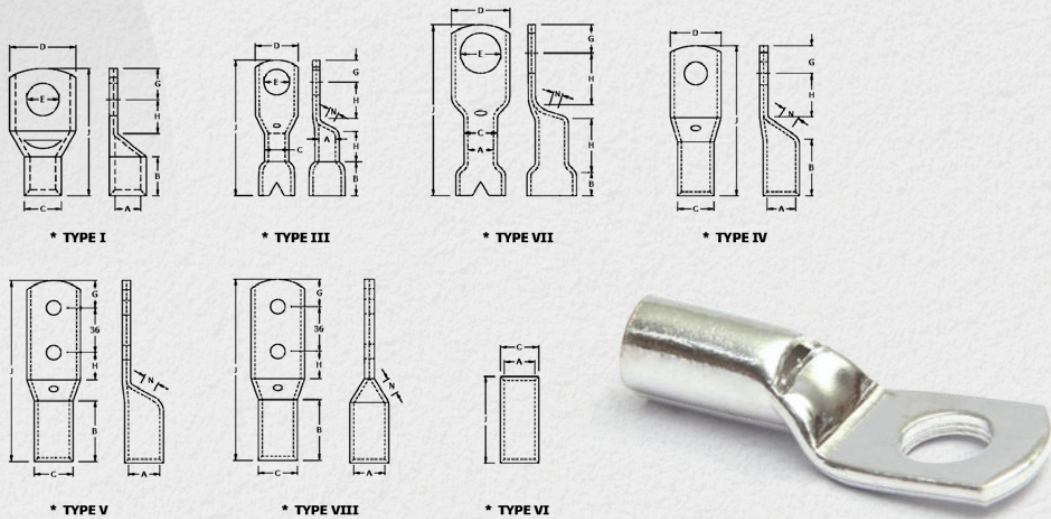
Product Code	Conductor mm ²	Cable Size	Stud Hole Size	Dimensions								Type
				A	C	D	B	H	G	J	L	
SCS-37	133	650/0.5	10.3	17	22.2	32	27	28	19	82	-	I
SCS-38			10.3					19	14	67	-	I
SCS-40			10.3					19	14	62	-	I
SCS-41			10.3					19	14	67	-	III
SCS-47			8.7					11	11	79	22.2	V
SCS-51			8.7					14	13	109	44.4	VI
SCS-42	270	1325/0.5	16.6	24.6	31.7	46	40	22	21	94	-	I
SCS-43			13.5				40	22	21	94	-	I
SCS-44			13.5				35	22	21	86	-	III
SCS-48			10.3				40	13	12	97	25.4	V
SCS-49			13.5				40	13	12	105	31.7	IV
SCS-45	400	1925/0.5	17.4	29.3	37.2	53	47	29	22	108	-	I
SCS-46			13.5				47	29	22	108	-	I
SCS-50			14.3				51	27	13	130	31.7	IV

Tolerance: +/- 2%

Copper Tube Terminal - C.L.W.

Material : EC Grade Copper (Cu ≥ 99.9%)

Finish : Electro Tinned



Inspection window allows for visual verification that the wire has been fully inserted prior to crimping the lugs. Barrel is designed with an internal chamfer at the wire entry to ensure smooth insertion of the wire, Specially designed as per CLW specifications

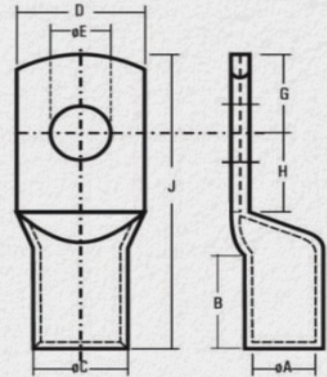
Product Code	Conductor mm ²	Cable Size	Stud Hole Size	Dimensions								Type
				A	C	D	B	H	G	J	L	
SCS-66	3	45/0.3	3.2	2.6	4.6	7	5.5	6.5	3.5	15.5	-	I
SCS-67			3.2			5			2.5	14.5		I
SCS-65			4.2			7.3			4	16		I
SCS-209	3	45/0.3	4.2	2.6	4.6	8	5.5	6	4	16	-	I
SCS-210			5.2		4.6	8	5.5	5	4	16	-	I
SCS-211			6.2		5	10	8	6.5	5	34	1.5	III
SCS-228	10	144/0.3	6.2	5	7	10	10	11	7	40	3	VII
SCS-68			8.2			12						VII
SCS-69			10.2			14						VII
SCS-212	25	127/0.5	6.2	8	10	15	16	14	10	45	3	IV
SCS-56			8.2									IV
SCS-187	35	-	8.2	9.6	12	17	20	21	14	60	3	IV
SCS-87	50	175/0.5	10.5	10.8	14	20	20	20	14	60	3	IV
SCS-230		175/0.6	15									IV
SCS-229	70	-	11	12.8	17	24	25	18	12	65	4	IV
SCS-55	120	427/0.6	14	17	22.2	32	30	27	18	88	4	IV
SCS-70			21									IV
SCS-54	150	525/0.6	16	18	24	34	35	25	18	90	5	IV
SCS-213	225	760/0.6	16	22	28	40	45	25	18	100	5	IV
SCS-214			11					22	15	130		V
SCS-71			11					25	18	100		IV
SCS-215	270	950/0.6	11	26	32	40	55	24	15	142	5	VIII
SCS-72			-		30	-	-	70	-	VI		
SCS-74	475	1680/0.6	11	36.5	46.1	50	75	24	15	165	5	VIII
SCS-73			22					33	22	145		IV
SCS-75			11					33	22	145		IV

Tolerance: +/- 2%

Copper Tube Terminal - I.C.F.

Material : EC Grade Copper (Cu ≥ 99.9%)

Finish : Electro Tinned



Inspection window allows for visual verification that the wire has been fully inserted prior to crimping the lugs. Barrel is designed with an internal chamfer at the wire entry to ensure smooth insertion of the wire, Specially designed as per ICF specifications

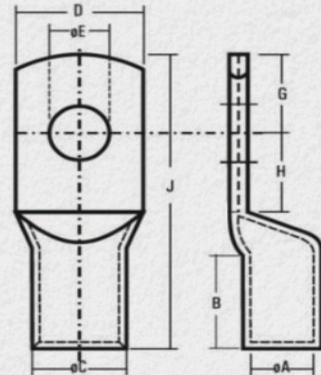
Product Code	AMPS	Stud Hole Size	Dimensions						
			A	C	D	B	H	G	J
SCS-106	11-17	M5	6	8.5	11.9	14	10	6	33
SCS-145		M6			11.9		10	6	33
SCS-146		M8			16		11	9	37
SCS-109		M10			16		11	9	37
SCS-107	11-23	M5	7.1	10.2	14.3	18	10	7	39
SCS-147		M6					10	7	39
SCS-148	17-23	M8	7.1	10.2	14.3	18	10	7	39
SCS-108		M10					19	12	10
SCS-110	23-29	M5	8	11.7	16.3	18	11	8	41
SCS-149		M6			16.3		11	8	41
SCS-150		M8			16.3		11	8	41
SCS-151		M10			20		14	11	47
SCS-111		M12			20		14	11	47
SCS-116	29-45	M5	9.8	13.7	19.3	18	10	10	43
SCS-152		M6			19.3		10	10	43
SCS-153		M8			19.3		10	10	43
SCS-154		M10			19.3		10	10	43
SCS-113		M12			22		14	11	48
SCS-112	45-57	M6	11.1	15.8	22.2	24	15	11	56
SCS-155		M8							
SCS-156		M10							
SCS-157		M12							
SCS-114	57-75	M6	12.6	17.8	25	24	15	13	58
SCS-158		M8							
SCS-159		M10							
SCS-160		M12							

Tolerance: +/- 2%

Copper Tube Terminal - I.C.F.

Material : EC Grade Copper (Cu ≥ 99.9%)

Finish : Electro Tinned



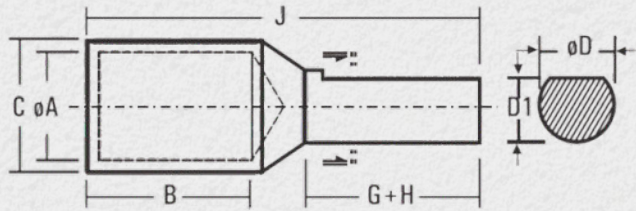
Inspection window allows for visual verification that the wire has been fully inserted prior to crimping the lugs. Barrel is designed with an internal chamfer at the wire entry to ensure smooth insertion of the wire, Specially designed as per ICF specifications

Product Code	AMPS	Stud Hole Size	Dimensions						
			A	C	D	B	H	G	J
SCS-137	75-90	M6	13.7	19.1	26.9	24	16	13	59
SCS-161		M8							
SCS-162		M10							
SCS-163		M12							
SCS-115	90-110	M6	15.3	20.9	29.6	24	17	15	62
SCS-164		M8							
SCS-165		M10							
SCS-166		M12							
SCS-138	110-146	M8	17.5	24	34	29	18	17	71
SCS-167		M10							
SCS-168		M12							
SCS-169		M16							
SCS-128	146-183	M10	19.8	26.9	38.2	29	21	18	76
SCS-170		M12							
SCS-171		M16							
SCS-139	183-225	M10	21.9	29.7	42.2	29	24	21	83
SCS-172		M12							
SCS-173		M16							
SCS-174		M20							
SCS-140	225-299	M12	25.4	34	48.5	29	26	24	89
SCS-175		M16							
SCS-176		M20							
SCS-141	299-366	M12	28	37.6	53.6	38	29	26	105
SCS-177		M16							
SCS-178		M20							
SCS-142	366-437	M12	30.5	41.7	59.1	38	32	29	111
SCS-179		M16							
SCS-180		M20							

Tolerance: +/- 2%

Copper Reducer Terminals

Material : EC Grade Copper (Cu ≥ 99.9%)
Finish : Electro Tinned



Short pin length design permits easy installation in limited space applications. Barrel is designed with an internal chamfer at the wire entry to ensure smooth insertion of the wire

Product Code	Conductor mm ²	Dimensions						
		A	C	D	D-1	B	G+H	J
SCR-7	2.5	2.5	4.7	3.8	3.3	6	10	20
SCR-16	4	2.8	4.7	3.8	3.3	6	10	20
SCR-18	6	3.1	4.7	3.8	3.3	6	10	20
SCR-20	10	3.8	5.5	3.8	3.3	9	10	23
SCR-22	10	4.4	6.2	3.8	3.3	9	10	23
SCR-2	16	5.3	7.1	3.8	3.3	13	13	30
SCR-25	25	7	9	6	5.5	12	15	32
SCR-4	35	8	10	7.5	6.5	12	20	37
SCR-26	50	9.2	11.2	7.5	6.5	16	20	41
SCR-27	70	11.3	13.8	7.5	6.5	18	20	43
SCR-29	95	12.8	15.6	11.5	10.5	20	25	51
SCR-35	120	14.8	17.8	11.5	10.5	22	32	60
SCR-37	150	16	19.6	11.5	10.5	26	32	64
SCR-38	185	18	22	11.5	10.5	32	32	70
SCR-39	225	20	26	15.6	14	38	32	78
SCR-43	240	21.2	26	15.6	14	38	32	78
SCR-45	300	24	28.7	16	15	42	42	92
SCR-101	400	27	33.2	15.6	14	46	32	90

Tolerance: +/- 2%

Copper Tube In - Line Connector

Material : EC Grade Copper (Cu ≥ 99.9%)

Finish : Electro Tinned



Manufactured from seamless tubing, Provides maximum conductivity, low resistance and ductility

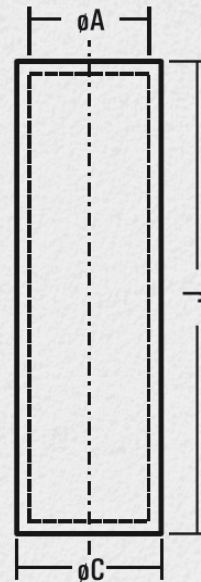
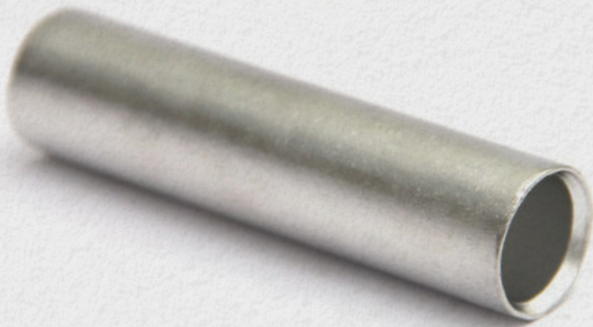
Product Code	Conductor mm ²	Dimensions		
		A	C	J
SCF-453	1.5	1.6	3.2	15
SCF-41	1.5	1.8	3.7	12
SCF-454	2.5	2.4	4	15
SCF-3	4	3.1	4.8	15
SCF-455	4.6	3.5	5.5	15
SCF-4	6	3.8	5.5	15
SCF-460	10	4.5	6.2	20
SCF-6	16	5.4	7.1	20
SCF-47	20	6	7.7	22
SCF-24	25	6.8	8.8	32
SCF-25	35	8.2	10.6	36
SCF-26	50	9.5	12.4	40
SCF-51	70	11.2	14.7	40
SCF-52	95	13.5	17.4	45
SCF-53	120	15	19.4	45
SCF-54	150	16.5	21.2	55
SCF-55	185	18.5	23.5	65
SCF-56	240	21	26.5	80
SCF-57	300	23.5	30	85
SCF-58	400	26.8	34.8	90
SCF-59	500	30	39	100
SCF-61	630	35	45	110
SCF-42	800	39	50.6	150
SCF-43	1000	43	56.2	170

Tolerance: +/- 2%

Copper Tube In - Line Connector Long Barrel

Material : EC Grade Copper (Cu ≥ 99.9%)

Finish : Electro Tinned



Manufactured from seamless tubing, Provides maximum conductivity, low resistance and ductility

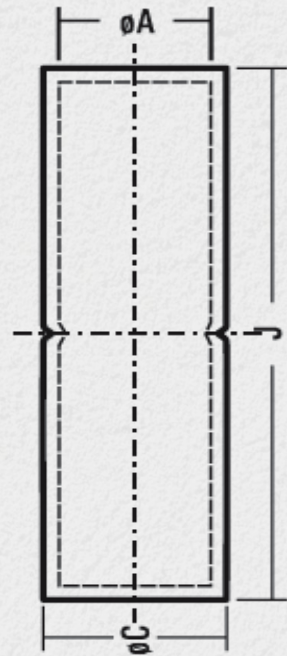
Product Code	Conductor mm ²	Dimensions		
		A	C	J
SCF-453LB	1.5	1.6	3.2	23
SCF-23	2.5	2	3.7	23
SCF-3LB	4	3.1	4.8	23
SCF-4LB	6	3.8	5.5	23
SCF-460LB	10	4.4	6.2	30
SCF-6LB	16	5.3	7.1	30
SCF-7	25	7	9	38
SCF-8	35	8	10	45
SCF-9	50	9.2	11.2	53
SCF-10	70	11.6	13.8	60
SCF-11	95	12.8	15.6	68
SCF-12	120	14.8	17.8	75
SCF-13	150	16	19.6	83
SCF-14	185	18	22	90
SCF-20	225	20	24	98
SCF-15	240	22	26	98
SCF-16	300	24	28.7	113
SCF-17	400	28	33.2	135
SCF-18	500	30	36	143
SCF-19	630	35	41.5	158
SCF-21	800	39	46.3	180
SCF-22	1000	43	53.8	225

Tolerance: +/- 2%

Copper Tube In - Line Connector DIN 46267

Material : EC Grade Copper (Cu ≥ 99.9%)

Finish : Electro Tinned



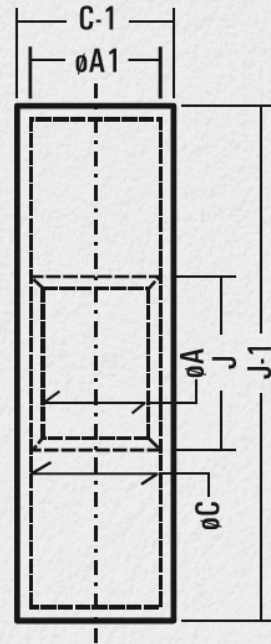
Heavy duty connectors design as per DIN 46267. Manufactured from seamless tubing. Provides maximum conductivity, low resistance and ductility

Product Code	Conductor mm ²	Dimensions		
		A	C	J
SDIN-6	6	3.8	5.5	30
SDIN-10	10	4.5	6	30
SDIN-16	16	5.5	8.5	50
SDIN-25	25	7	10	50
SDIN-35	35	8.2	12.5	50
SDIN-50	50	10	14.5	56
SDIN-70	70	11.5	16.5	56
SDIN-95	95	13.5	19	70
SDIN-120	120	15.5	21	70
SDIN-150	150	17	23.5	80
SDIN-185	185	19	25.5	85
SDIN-240	240	21.5	29	90
SDIN-300	300	24.5	32	100
SDIN-400	400	27.5	38.5	150
SDIN-500	500	31	42	160
SDIN-625	625	34.5	44	160
SDIN-800	800	40	52	200
SDIN-1000	1000	44	58	200

Tolerance: +/- 2%

Copper Tube In-Line Connector Insulated

Material : EC Grade Copper (Cu ≥ 99.9%)
Finish : Electro Tinned



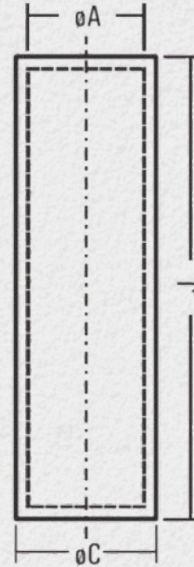
Manufactured from seamless tubing. Provides maximum conductivity, low resistance and ductility. Polymeric insulation offers high dielectric strength and stability in oily environmental conditions.

Product Code	Conductor	A	C	Dimensions	
	mm ²			A-1	C-1
EH-463	1.5	1.6	3.2	3.3	4.9
EH-464	2.5	2.4	4	4.1	5.5
EH-465	4 - 6	3.5	5.5	5.6	7.2

Tolerance: +/- 2%

Copper Tube In-Line Connector - D.L.W.

Material : EC Grade Copper (Cu ≥ 99.9%)
 Finish : Electro Tinned



Manufactured from seamless tubing. Specially designed as per DLW specifications

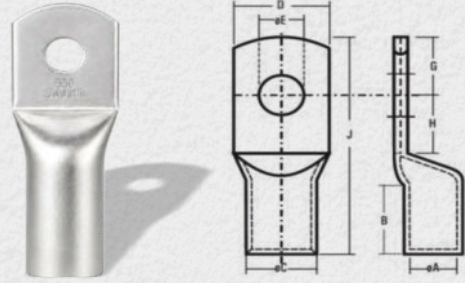
Product Code	Conductor	'C/C-1'	Dimensions		
	mm ²	Cable Size	A	C	J
SCF-453	1.5	1/1.4	1.6	3.2	15
SCF-23	2.5	1/1.8	2	3.7	15
SCF-3	4	1/2.8	3.1	4.8	15
SCF-4	6	1/3.55	3.8	5.5	15
SCF-460	10	7/1.4	4.4	6.2	20
SCF-6	16	7/1.7	5.3	7.1	20
SCF-7	25	7/2.2	7	9	25
SCF-8	35	7/2.5	8	10	30
SCF-9	50	19/1.8	9.2	11.2	35
SCF-10	70	19/2.24	11.5	13.8	40
SCF-11	95	19/2.5	12.8	15.6	45
SCF-12	120	37/2.06	14.8	17.8	50
SCF-13	150	37/2.24	16	19.6	55
SCF-14	185	37/2.5	18	22	60
SCF-20	225	37/2.8	20	24	65
SCF-15	240	61/2.24	22	26	65
SCF-16	300	61/2.5	24	28.7	75
SCF-17	400	61/3	28	33.2	90
SCF-18	500	91/2.65	30	36	95
SCF-19	625	91/3	35	41.5	105
SCF-21	800	91/3.35	39	46.3	120
SCF-22	1000	91/3.65	43	53.8	150

Tolerance: +/- 2%

Aluminium Tube Terminals

Material : EC Grade Aluminium

Finish : Natural

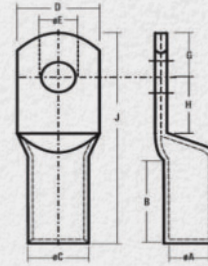


Barrel is designed with an internal chamfer at the wire entry to ensure smooth insertion of the wire. Short/Standard length barrel is recommended for installations with limited space requirements.

Product Code	Conductor mm ²	Stud Size E	Dimensions					
			A	C	D	B	G+H	J
SAS-151	2.5	M3	2	5.5	7	7	8	18
SAS-309		M3.5	2.6					
SAS-155	4	M4	2.9	5.5	7	7	8	18
SAS-317		M5			12		13	24
SAS-158	6	M5	3.5	5.5	8	7	13	24
SAS-313		M6			12			
SAS-214	10	M6	4.4	7.4	10	9	17	30
SAS-215		M8			15			
SAS-252	16	M6	5.4	8.3	11	13	20	37
SAS-216		M8			11			
SAS-217		M10			18			
SAS-218	25	M8	7	10	14	16	21	44
SAS-219		M10			20			
SAS-220		M12			20			
SAS-221	35	M8	8	10.8	15	18	22	47
SAS-222		M10			20			
SAS-255	50	M8	9.3	13	18	22	24	54
SAS-312		M10			23			
SAS-224		M12			23			
SAS-256	70	M8	11.6	16	22	26	26	60
SAS-225		M10						
SAS-226		M12						
SAS-227	95	M10	12.9	17.1	25	28	28	64
SAS-228		M12						
SAS-229		M16						
SAS-257	120	M10	14.8	19.6	28	32	30	73
SAS-230		M12						
SAS-231		M16						
SAS-258	150	M10	16.1	21.2	31	34	34	79
SAS-232		M12						
SAS-233		M16						
SAS-311	185	M10	18	23.7	34	36	36	84
SAS-234		M12						
SAS-235		M16						
SAS-320	225	M12	20.6	27	39	40	40	94
SAS-236	240	M12	22	28	40	44	44	102
SAS-237		M16						
SAS-300	300	M16	24	31	45.7	47	54	115
SAS-259		M20						
SAS-260	400	M20	28	36	51	56	61	130
SAS-296	500	M20	30	41	58	60	65	140
SAS-261	630	M20	35	46	66	69	69	154
SAS-318	800	-	39	51	73	77	78	180
SAS-319	1000	-	43.5	57	81	100	90	220

Aluminium Tube Terminals - Long Barrel

Material : EC Grade Aluminium
Finish : Natural



Barrel is designed with an internal chamfer at the wire entry to ensure smooth insertion of the wire. Long barrel allows for an increased number of crimps which will increase the mechanical strength of the connection.

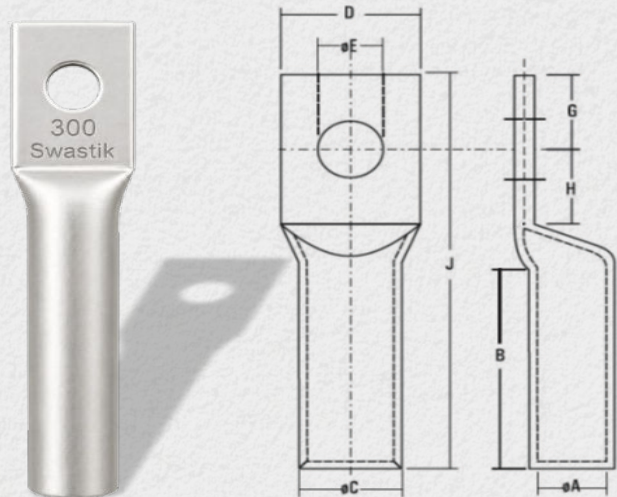
Product Code	Conductor mm ²	Stud Size	Dimensions					
			A	C	D	B	G+H	J
SAS-551	2.5	M3	2	5.5	7	10.5	8	21.5
SAS-509		M3.5	2.6					
SAS-555	4	M4	2.9	5.5	7	10.5	8	21.5
SAS-517		M5			12		13	
SAS-558	6	M5	3.5	5.5	8	10.5	13	27.5
SAS-513		M6			12			
SAS-514	10	M6	4.4	7.4	10	13.5	17	34.5
SAS-515		M8			15			
SAS-552	16	M6	5.4	8.3	11	19.5	20	43.5
SAS-516		M8			11			
SAS-617		M10			18			
SAS-518	25	M8	7	10	14	24	21	52
SAS-519		M10			20			
SAS-520	35	M12	8	10.8	20	27	22	56
SAS-521		M8			15			
SAS-522	50	M10	9.3	13	18	33	24	65
SAS-655		M8			23			
SAS-512		M10			23			
SAS-524	70	M12	11.6	16	22	39	26	73
SAS-556		M8						
SAS-525		M10						
SAS-526	95	M12	12.9	17.1	25	42	28	78
SAS-527		M10						
SAS-528		M12						
SAS-529	120	M16	14.8	19.6	28	48	30	89
SAS-557		M10						
SAS-530		M12						
SAS-531	150	M16	16.1	21.2	31	51	34	96
SAS-658		M10						
SAS-532		M12						
SAS-533	185	M16	18	23.7	34	54	36	102
SAS-511		M10						
SAS-534		M12						
SAS-535	225	M16	20.6	27	39	60	40	114
SAS-620		M12						
SAS-536	240	M12	22	28	40	66	44	124
SAS-537		M16						
SAS-500	300	M16	24	31	45.7	70.5	54	138.5
SAS-559		M20						
SAS-560	400	M20	28	36	51	84	61	158
SAS-596	500	M20	30	41	58	90	65	170
SAS-561	630	M20	35	46	66	103.5	69	188.5
SAS-618	800		39	51	73	115.5	78	218.5
SAS-619	1000		43.5	57	81	150	90	270

Tolerance: +/- 2%

Aluminium Tube Terminals - For XLPE Conductor

Material : EC Grade Aluminium

Finish : Natural



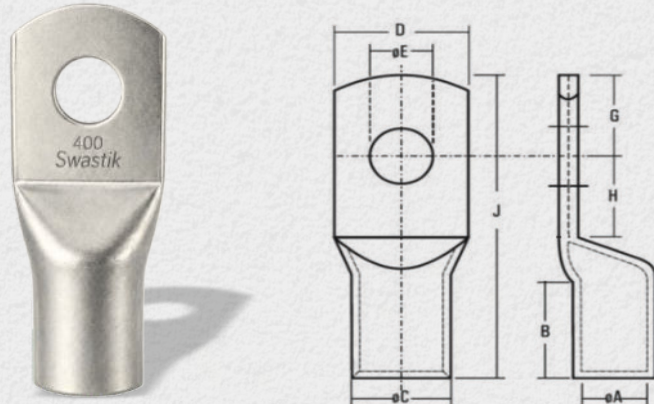
Barrel is designed with an internal chamfer at the wire entry to ensure smooth insertion of the wire. Long barrel allows for an increased number of crimps which will increase the mechanical strength of the connection. Specially designed for compact XLPE conductor

Product Code	Conductor mm ²	Stud Hole Size	Dimensions						
			A	C	D	B	H	G	J
SAS-XL17	25	8.2	7.2	9.6	14	41	12	9	69
SAS-XL18	35	8.2	8.3	11.1	16	50	11	11	79
SAS-XL19	50	10.2	10.1	13.5	19.5	49	13	11	81
SAS-XL20	70	10.2	10.2	14.5	20.5	62	13	13	96
SAS-XL21	95	12.7	12	16.9	23.5	73	14	14	109
SAS-XL22	120	12.7	13.7	19	26.5	73	15	15	114
SAS-XL23	150	12.7	15.1	21.1	29.5	83	17	17	128
SAS-XL24	185	12.7	16.6	23.9	33	83	18	18	131
SAS-XL25	225	12.7	18.6	26.1	36	86	20	20	140
SAS-XL26	240	12.7	19.3	27.2	37.5	86	22	22	144
SAS-XL27	300	20.3	21.8	30.2	42	89	27	27	157
SAS-XL28	400	20.3	25	34.8	48	113	30	30	187
SAS-XL29	500	20.3	28.2	39.1	54	125	32	32	205
SAS-XL30	630	20.3	31.7	44.4	61	140	34	34	224
SAS-XL31	800	20.3	35.7	49.5	68	147	39	39	250
SAS-XL32	1000	20.3	41	56	77.5	160	45	45	280

Tolerance: +/- 2%

Aluminium Tube Terminals - Electro Tin Plated (Bi-Metallic)

Material : EC Grade Aluminium
Finish : Electro Tinned



Dual rated to accommodate both copper and aluminum wire. Manufactured from seamless tubing. Barrel is designed with an internal chamfer at the wire entry to ensure smooth insertion of the wire.

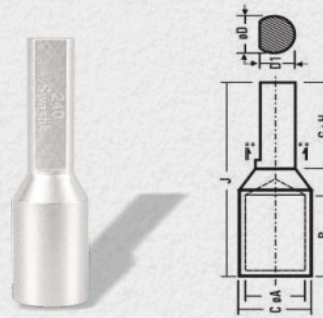
Product Code	Conductor mm ²	Stud Size	Dimensions					
			A	C	D	B	G+H	J
SBL-1	10	M6	4.4	7.4	10	9	17	30
SBL-2		M8			15			
SBL-3	16	M6	5.4	8.3	11	13	20	37
SBL-4		M8			11			
SBL-5	25	M8	7	10	14	16	21	44
SBL-6		M10			20			
SBL-7	35	M8	8	10.8	15	18	22	47
SBL-8		M10			20			
SBL-9	50	M8	9.3	13	18	22	24	54
SBL-10		M10			23			
SBL-11	70	M10	11.6	16	22	26	26	60
SBL-12		M12						
SBL-13	95	M10	12.9	17.1	25	28	28	64
SBL-14		M12						
SBL-15	120	M10	14.8	19.6	28	32	30	73
SBL-16		M12						
SBL-17	150	M12	16.1	21.2	31	34	34	79
SBL-18		M16						
SBL-19	185	M12	18	23.7	34	36	36	84
SBL-20		M16						
SBL-21	225	M12	20.6	27	39	40	40	94
SBL-22	240	M12	22	28	40	44	44	102
SBL-23		M16						
SBL-24	300	M16	24	31	45.7	47	54	115
SBL-25		M20						
SBL-26	400	M20	28	36	51	56	61	130
SBL-27	500	M20	30	41	58	60	65	140
SBL-28	630	M20	35	46	66	69	69	154
SBL-29	800		39	51	73	77	78	180
SBL-30	1000		43.5	57	81	100	90	220

Tolerance: +/- 2%

Aluminium Reducer Terminals

Material : EC Grade Aluminium

Finish : Natural



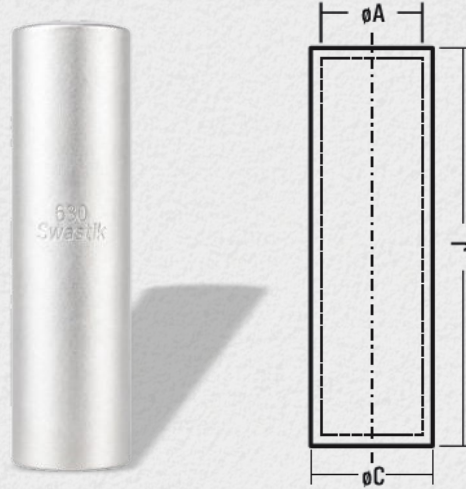
Short pin length design permits easy installation in limited space applications. Barrel is designed with an internal chamfer at the wire entry to ensure smooth insertion of the wire.

Product Code	Conductor mm2	Dimensions						
		A	C	D	D-1	B	G+H	J
SAR-1	2.5	2	5.5	4.5	4	7	10	21
SAR-7		2.6		3.8	3.3			
SAR-15	4	2.9	5.5	4.5	4	7	10	21
SAR-16				3.8	3.3			
SAR-17	6	3.5	5.5	4.5	4	7	10	21
SAR-18				3.8	3.3			
SAR-19	10	3.8	7.4	4.5	4	9	10	23
SAR-20		3.8		3.8	3.3			
SAR-21		4.4		4.5	4			
SAR-22		4.4		3.8	3.3			
SAR-23	16	5.4	8.3	6	5.5	13	15	33
SAR-24				6	5.5		20	38
SAR-2				3.8	3.3		13	31
SAR-25	25	7	10	6	5.5	16	15	36
SAR-3				7.5	6.5		20	41
SAR-4	35	8	10.8	7.5	6.5	18	20	43
SAR-26	50	9.3	13	7.5	6.5	22	20	47
SAR-5		10.4	14	14	13		24	53
SAR-27	70	11.6	16	7.5	6.5	26	20	51
SAR-6				11.5	10.5		25	56
SAR-28				11.5	10.5		32	63
SAR-29	95	12.9	17.1	11.5	10.5	28	25	59
SAR-8				15.6	14		27	61
SAR-31				7.5	6.5		22	56
SAR-32				12.8	11.8		32	66
SAR-33	120	14.8	19.6	11.5	10.5	32	25	63
SAR-34				7.5	6.5		22	60
SAR-35				11.5	10.5		32	70
SAR-36				15.6	14		32	70
SAR-10	150	16.1	21.2	15.6	14	34	32	72
SAR-37				11.5	10.5			
SAR-30	185	18	23.7	15.6	14	36	32	74
SAR-38				11.5	10.5			
SAR-39	225	20.6	27	15.6	14	40	32	80
SAR-46				21	18		42	90
SAR-42				16	15		42	90
SAR-44	240	22	28	16	15	44	42	94
SAR-43				15.6	14		32	84
SAR-45	300	24	31	16	15	47	42	97
SAR-47				15.6	14		32	87

Tolerance: +/- 2%

Aluminium Tube In - Line Connector

Material : EC Grade Aluminium
Finish : Natural



Manufactured from seamless tubing, Provides maximum conductivity, low resistance and ductility.

Product Code	Conductor mm ²	Dimensions		
		A	C	J
SAS-6	2.5	2.6	5.5	16
SAS-5	4	2.9	5.5	16
SAS-13	6	3.5	5.5	16
SAS-14	10	4.4	7.4	20
SAS-4	16	5.4	8.3	26
SAS-3	25	7	10	35
SAS-2	35	8	10.8	40
SAS-12	50	9.3	13	45
SAS-1	70	11.6	16	55
SAS-15	95	12.9	17.1	60
SAS-9	120	14.8	19.6	65
SAS-10	150	16.1	21.2	70
SAS-11	185	18	23.7	75
SAS-147	225	20.6	27	85
SAS-16	240	22	28	90
SAS-17	300	24	31	100
SAS-18	400	28	36	115
SAS-19	500	30	41	125
SAS-20	630	35	46	140
SAS-148	800	39	51	160
SAS-149	1000	43.5	57	210

Tolerance: +/- 2%

Aluminium In-Line Connector For XLPE Conductor

Material : EC Grade Aluminium

Finish : Natural



Manufactured from seamless tubing, Provides maximum conductivity, low resistance and ductility.
Specially designed for compact XLPE conductor

Product Code	Conductor mm ²	Dimensions		
		A	C	J
SAS-XL1	25	7.2	9.6	82
SAS-XL2	35	8.3	11.1	90
SAS-XL3	50	10.1	13.5	100
SAS-XL4	70	10.2	14.5	104
SAS-XL5	95	12	16.9	108
SAS-XL6	120	13.7	19	112
SAS-XL7	150	15.1	21.2	116
SAS-XL8	185	16.6	23.9	128
SAS-XL9	225	18.6	26.1	136
SAS-XL10	240	19.3	27.2	148
SAS-XL11	300	21.8	30.2	160
SAS-XL12	400	25	34.8	182
SAS-XL13	500	28.2	39.1	190
SAS-XL14	630	31.7	44.4	200
SAS-XL15	800	35.7	49.5	225
SAS-XL16	1000	41	56	250

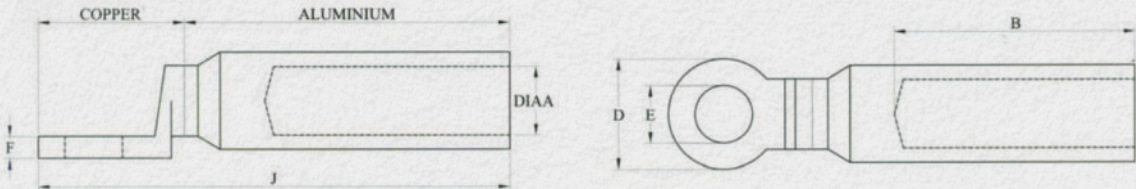
Tolerance: +/- 2%

Bi-Metallic Terminals

Material : Palm - EC Grade Copper

Barrel - EC Grade Aluminium

Finish : Natural



Friction welded lugs suitable for Aluminium Conductor and Copper termination end. Barrel pre-filled with corrosion inhibiting compound and sealed with cap.

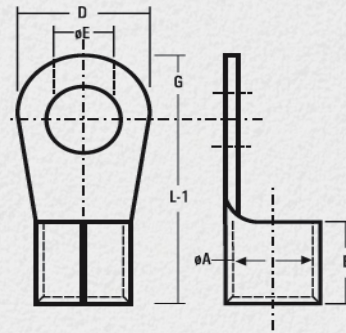
Product Code	Conductor mm ²	Stud Size	Dimensions				
			A	D	F	B	J
SBL-16-13	16	13	6.00	16	3.00	45	86
SBL-25-13	25	13	7.00	16	3.00	45	86
SBL-35-13	35	13	8.50	16	3.00	45	86
SBL-50-13	50	13	9.80	20	3.50	51	95
SBL-70-13	70	13	11.60	20	3.50	51	95
SBL-95-13	95	13	13.80	20	3.50	51	95
SBL-120-13	120	13	15.50	25	4.20	66	120
SBL-150-13	150	13	17.00	25	4.20	66	120
SBL-185-13	185	13	18.50	32	5.00	72	135
SBL-240-13	240	13	21.50	32	5.00	72	134
SBL-300-13	300	13	24.00	34	5.00	80	140
SBL-400-17	400	17	27.50	40	6.00	100	160
SBL-500-17	500	17	30.00	40	6.00	100	160
SBL-630-17	630	17	33.50	47	9.00	100	185

Tolerance: +/- 2%

Copper Ring Terminals

Material : EC Grade Copper (Cu ≥ 99.9%)

Finish : Electro Tinned



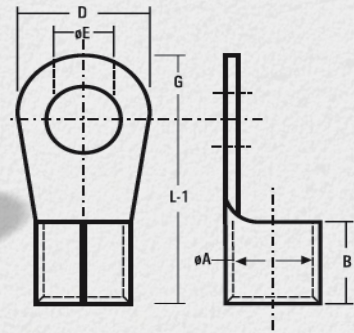
Provides an easy visual check of wire insertion							
Product Code	Conductor	Stud	Dimensions				
	mm ²	Size	A	D	B	G	L1
RT-7318	1	M3.5	1.2	8	5	4	12
RT-7001		M3		6		3	11
RT-7002		M3.5		6		3	11
RT-7003		M4		6		3	11
RT-7048	1.5	M3.5	1.6	6.8	5	3.4	9.6
RT-7049		M4		6.8		3.4	9.6
RT-7004		M4		8		4	12
RT-7005		M5		8		4	12
RT-7154		M4		7		3.5	11
RT-7006		M5		10		5	13
RT-7007		M6		10		5	13
RT-7106		M6		12		6	12
RT-7107	2.5	M3	2.3	6.5	5	3.2	9.5
RT-7008		M3.5		6.5		3.2	9.5
RT-7108		M3.5		8		4	12
RT-7009		M4		8		4	12
RT-7010		M5		8		4	12
RT-7109		M5		10		5	13
RT-7011		M6		10		5	13
RT-7110		M5		12		6	16
RT-7012		M6		12		6	16
RT-7013		M8		12		6	16
RT-7014	M8	16	8	17			
RT-7151	M10	18	9	20			
RT-7155	4 - 6	M4	3.5	8	6	4	13
RT-7050		M5		8		4	13
RT-7016		M5		10		5	14
RT-7017		M6		12		6	14
RT-7018		M8		12		6	14
RT-7019		M6		12		6	16
RT-7115		M6		14		7	18.5
RT-7020		M8		14		7	18.5
RT-7116		M8		16		8	22
RT-7023		M10		18		9	21
RT-7024	M12	18	9	21			

Tolerance: +/- 2%

Copper Ring Terminals

Material : EC Grade Copper (Cu ≥ 99.9%)

Finish : Electro Tinned



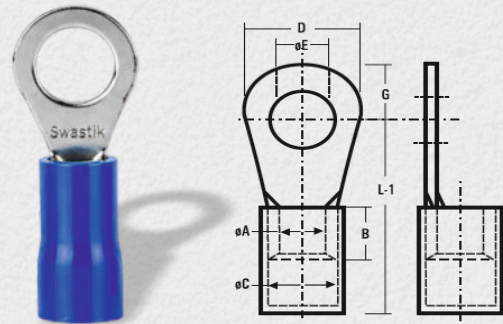
Provides an easy visual check of wire insertion

Product Code	Conductor mm ²	Stud Size	Dimensions				
			A	D	B	G	L1
RT-7025	10	M5	4.3	10	8	5	17
RT-7026		M5		10		5	15
RT-7120		M6		12		6	17
RT-7121		M8		16		8	19
RT-7123		M10		22		11	23
RT-7028		M12		22		11	23
RT-7124		16		M5		5.6	10
RT-7029	M6		12	6	20		
RT-7030	M8		16	8	22		
RT-7128	M10		22	11	24		
RT-7033	M12		22	11	24		
RT-7156	25	M6	7.5	12	11	6	25
RT-7034		M8		16		8	22
RT-7132		M10		22		11	31
RT-7037		M12		22		11	31
RT-7133	35	M6	9	16	12	8	23
RT-7038		M8		16		8	23
RT-7135		M10		22		11	31
RT-7040		M12		22		11	31
RT-7136	50	M8	10.5	18	16	9	34
RT-7137		M10		22		11	32
RT-7042		M12		24		12	36
RT-7139	70	M16	12	32	18	16	38
RT-7140		M10		22		11	36
RT-7141		M12		24		12	36
RT-7142	95	M16	13.5	28	20	14	40
RT-7144		M10		24		12	38
RT-7044		M12		24		12	38
RT-7145	120	M16	15	28	22	14	44
RT-7146		M12		26		13	39
RT-7147		M16		32		16	48
RT-7148	150	M20	16.5	40	24	20	52
RT-7149		M12		34		17	49
RT-7045		M16		34		17	49
RT-7046	M20	40	20	54			

Tolerance: +/- 2%

Copper Ring Terminals (Insulated)

Material : EC Grade Copper (Cu ≥ 99.9%)
Finish : Electro Tinned



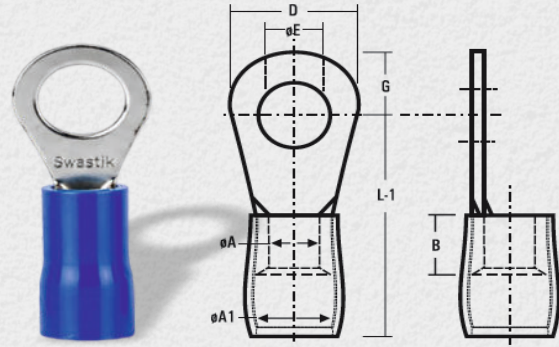
Provides an easy visual check of wire insertion. Provided with insulation support & flexibility.

Product Code	Conductor Size	Stud	Dimensions					C	L1
	mm ²	Size	A	D	B	G			
RTI-7502	1	M3.5	1.2	8	5	4	2.8	17	
RTI-7054	1.5	M3	1.6	6	5	3	3.2	16	
RTI-7055		M3.5		6		3		16	
RTI-7056		M4		6		3		16	
RTI-7058		M3.5		6.8		3.4		14.6	
RTI-7059		M4		6.8		3.4		14.6	
RTI-7061		M4		8		4		17	
RTI-7062		M5		8		4		17	
RTI-7063		M4		7		3.5		16	
RTI-7065		M5		10		5		18	
RTI-7066		M6		10		5		18	
RTI-7067		M6		12		6		17	
RTI-7068		M3		6.5		3.2		14.5	
RTI-7069		M3.5		6.5		3.2		14.5	
RTI-7070	M3.5	8	4	17					
RTI-7071	M4	8	4	17					
RTI-7072	M5	8	4	17					
RTI-7073	M5	10	5	18					
RTI-7074	M6	10	5	18					
RTI-7075	M5	12	6	21					
RTI-7076	M6	12	6	21					
RTI-7077	M8	12	6	21					
RTI-7079	M8	16	8	22					
RTI-7081	M10	18	9	25					
RTI-7083	4 - 6	M4	3.5	8	6	4	5.5	21	
RTI-7084		M5		8		4		21	
RTI-7086		M5		10		5		22	
RTI-7089		M6		12		6		22	
RTI-7090		M8		12		6		22	
RTI-7092		M6		12		6		24	
RTI-7093		M6		14		7		26.5	
RTI-7094		M8		14		7		26.5	
RTI-7096		M8		16		8		30	
RTI-7099		M10		18		9		29	
RTI-7100		M12		18		9		29	

Tolerance: +/- 2%

Copper Ring Terminals (Pre-Insulated)

Material : EC Grade Copper (Cu ≥ 99.9%)
Finish : Electro Tinned



Provides an easy visual check of wire insertion. Provided with double grip for greater flexibility and insulation support

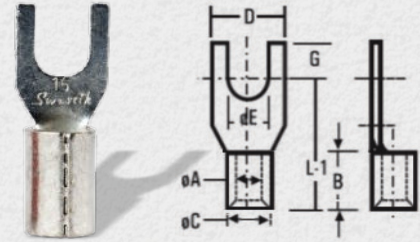
Product Code	Conductor Size	Stud Size	Dimensions									
	mm ²		A	D	B	G	A-1	L1				
RTI-7437	1.5	M3	1.6	6	5	3	3.6	16				
RTI-7438		M3.5		6		3		16				
RTI-7439		M4		6		3		16				
RTI-7441		M3.5		6.8		3.4		14.6				
RTI-7442		M4		6.8		3.4		14.6				
RTI-7444		M4		8		4		17				
RTI-7445		M5		8		4		17				
RTI-7446		M4		7		3.5		16				
RTI-7448		M5		10		5		18				
RTI-7449		M6		10		5		18				
RTI-7450		M6		12		6		17				
RTI-7451		2.5		M3		2.3		6.5	5	3.2	4.4	17.7
RTI-7452	M3.5		6.5	3.2	17.7							
RTI-7453	M3.5		8	4	17							
RTI-7454	M4		8	4	17							
RTI-7455	M5		8	4	17							
RTI-7456	M5		10	5	18							
RTI-7457	M6		10	5	18							
RTI-7458	M5		12	6	21							
RTI-7459	M6		12	6	21							
RTI-7460	M8		12	6	21							
RTI-7462	M8		16	8	22							
RTI-7464	M10		18	9	25							
RTI-7466	4 - 6		M4	3.5	8		6	4		6.4		22
RTI-7467			M5		8			4				22
RTI-7469		M5	10		5	23						
RTI-7472		M6	12		6	23						
RTI-7473		M8	12		6	23						
RTI-7475		M6	12		6	25						
RTI-7476		M6	14		7	27.5						
RTI-7477		M8	14		7	27.5						
RTI-7479		M8	16		8	31						
RTI-7482		M10	18		9	30						
RTI-7483		M12	18		9	30						

Tolerance: +/- 2%

Copper Fork Terminals

Material : EC Grade Copper (Cu ≥ 99.9%)

Finish : Electro Tinned



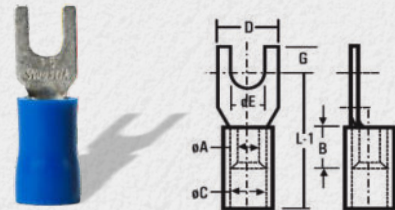
Provides an easy visual check of wire insertion. Fork tongue design provides easy and fast installation

Product Code	Conductor Size mm2	Stud Size	Dimensions				
			A	D	B	G	L1
RT-7249SPL	1	M3	1.2	6.6	5	3.4	11.1
RT-7249	1.5	M3.5	1.6	6.8	5	3.4	11.1
RT-7251	2.5	M3.5	2.3	6.5	5	3.2	11.8
RT-7252	4-6	M3	3.5	6	6	3.5	11.5
RT-7253	4-6	M3.5	3.5	6	6	4	11
RT-7280	2.5	M5	2.6	10.6	6.2	6.2	12.4

Copper Fork Terminals (Insulated)

Material : EC Grade Copper

Finish : Electro Tinned



Tolerance: +/- 2%

Provides an easy visual check of wire insertion. Fork tongue design provides easy and fast installation. Provided with insulation support & flexibility.

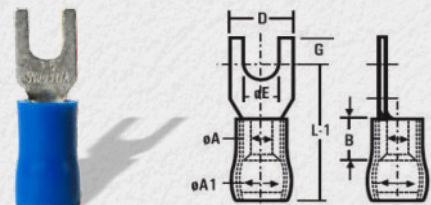
Product Code	Conductor Size mm2	Stud Size	Dimensions					
			A	D	B	G	C	L2
RTI-7926SPL	1	M3	1.2	6.6	5	3.4	2.8	16.1
RTI-7926	1.5	M3.5	1.6	6.8	5	3.4	3.2	16.1
RTI-7928	2.5	M3.5	2.3	6.5	5	3.2	3.9	21.8
RTI-7930	4-6	M3	3.5	6	6	3.5	5.5	27.5
RTI-7931	4-6	M3.5	3.5	6	6	4	5.5	27
RTI-7929	2.5	M5	2.6	10.6	6.2	6.2	4.6	20

Tolerance: +/- 2%

Copper Fork Terminals (Pre-Insulated)

Material : EC Grade Copper

Finish : Electro Tinned



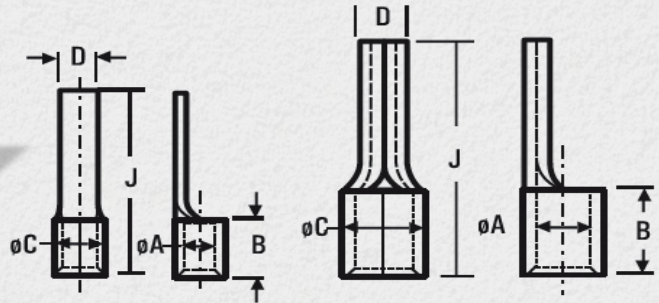
Provides an easy visual check of wire insertion. Fork tongue design provides easy and fast installation. Provided with double grip for greater flexibility and insulation support

Product Code	Conductor Size mm2	Stud Size	Dimensions					
			A	D	B	G	A-1	L1
RTI-7935	1.5	M3.5	1.6	6.8	5	3.4	3.6	16.1
RTI-7937	2.5	M3.5	2.3	6.5	5	3.2	4.4	16.8
RTI-7939	4-6	M3	3.5	6	6	3.5	6.4	20.5
RTI-7940	4-6	M3.5	3.5	6	6	4	6.4	20
RTI-7938	2.5	M5	2.6	10.6	6.2	6.2	4.4	16.2

Tolerance: +/- 2%

Copper Pin Terminals

Material : EC Grade Copper (Cu ≥ 99.9%)
Finish : Electro Tinned



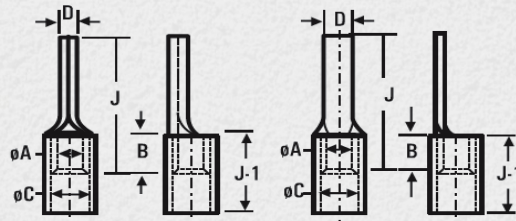
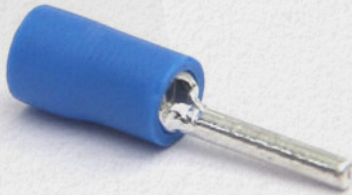
Provides an easy visual check of wire insertion. Pin type tongue design provides an easy and effective way for termination

Product Code	Conductor mm ²	Dimensions				
		A	C	D	B	J
WP-44	1	1.2	2.8	1.4	5	17
WP-9	1.5	1.6	3.2	1.9	5	17
WP-35	1.5	1.6	3.2	3.1	5	17
WP-1	2.5	2.3	3.9	1.9	5	17
WP-2	2.5	2.3	3.9	3.1	5	17
WP-3	4	2.9	4.9	2.7	6	20
WP-5	6	3.6	5.6	2.7	6	20
WP-7	10	4.5	6.7	4.3	8	22
WP-8	16	5.8	8.2	5.5	10	26
WP-86	25	7.5	11.1	7	11	32
WP-87	35	9	12.6	7.5	12	37.8
WP-88	50	10.5	14.1	9	16	42
WP-89	70	12	16	9	18	47
WP-90	95	13.5	18.1	9	20	52

Tolerance: +/- 2%

Copper Pin Terminals (Insulated)

Material : EC Grade Copper (Cu ≥ 99.9%)
Finish : Electro Tinned

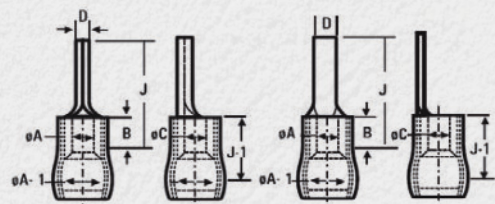


Provides an easy visual check of wire insertion. Pin type tongue design provides an easy and effective way for termination. Provided with insulation support & flexibility							
Product Code	Conductor	Dimensions					
	mm ²	A	C	D	B	J	J1
WPI-45	1	1.2	2.8	1.4	5	17	10
WPI-17	1.5	1.6	3.2	1.9	5	17	10
WPI-40	1.5	1.6	3.2	3.1	5	17	10
WPI-18	2.5	2.3	3.9	1.9	5	17	10
WPI-19	2.5	2.3	3.9	3.1	5	17	10
WPI-20	4	2.9	4.9	2.7	6	20	14

Tolerance: +/- 2%

Copper Pin Terminals (Pre-Insulated)

Material : EC Grade Copper (Cu ≥ 99.9%)
Finish : Electro Tinned

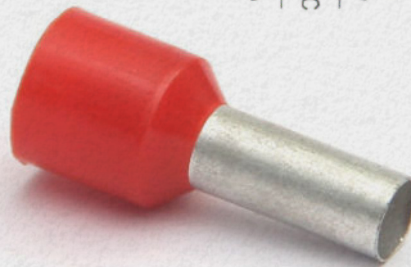
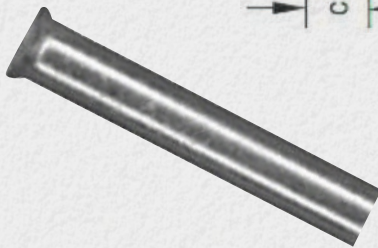
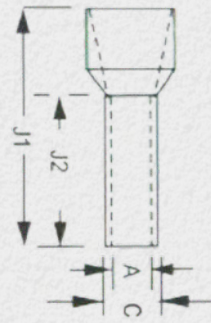
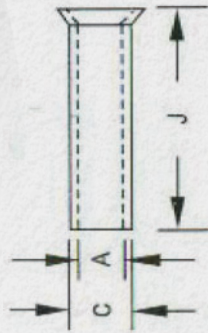


Provides an easy visual check of wire insertion. Pin type tongue design provides an easy and effective way for termination. Provided with insulation support & flexibility								
Product Code	Conductor	Dimensions						
	mm ²	A	C	D	B	A-1	J	J1
WPR-26	1.5	1.6	3.2	1.9	5	3.6	17	10
WPR-27	2.5	2.3	3.9	1.9	5	4.4	17	10
WPR-28	2.5	2.3	3.9	3.1	5	4.4	17	10
WPR-29	4	2.9	4.9	2.7	6	6.4	20	14

Tolerance: +/- 2%

End Sealing Ferrules (Insulated)

Material : EC Grade Copper
 Finish : Electro Tinned
 Seamless barrels



Smooth funnel entry to make wire insertion easier. Provided with insulation support & flexibility

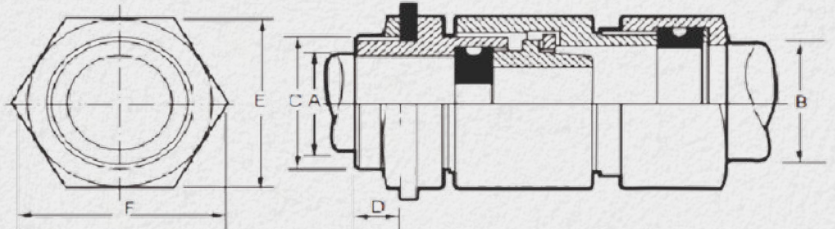
Product Code	Conductor mm2	Dimensions			Product Code	Conductor mm2	Dimensions			
		A	C	J			A	C	J1	J2
SF-508	0.5	1	1.4	6	ESF-508	0.5	1	1.4	12	6
SF-509	0.75	1.4	1.8	6	ESF-509	0.75	1.4	1.8	12	6
SF-510	1	1.6	2	6	ESF-510	1	1.6	2	12	6
SF-511				10	ESF-511				16	10
SF-512	1.5	1.8	2.2	7	ESF-512	1.5	1.8	2.2	13	7
SF-513				10	ESF-513				16	10
SF-514	2.5	2.3	2.7	7	ESF-514	2.5	2.3	2.7	13	7
SF-515				12	ESF-515				18	12
SF-516	4	2.8	3.2	9	ESF-516	4	2.8	3.2	16	9
SF-517				12	ESF-517				20	12
SF-518				10	ESF-518				18	10
SF-519	6	3.7	4.1	12	ESF-519	6	3.7	4.1	20	12
SF-520				15	ESF-520				21	15
SF-521				12	ESF-521				22	12
SF-522	10	4.6	5	15	ESF-522	10	4.6	5	24	15
SF-523				18	ESF-523				28	18
SF-524				12	ESF-524				24	12
SF-525	16	5.9	6.3	15	ESF-525	16	5.9	6.3	25	15
SF-526				18	ESF-526				28	18

Tolerance: +/- 2%

DC Type Medium Duty Brass Cable Glands (For Armoured Cable, Weather Proof)

Material : Brass

Finish : Bright Nickel Plated



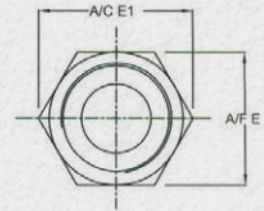
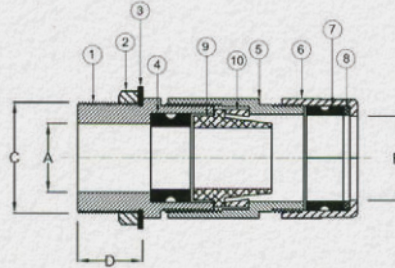
SIZE	CABLE DIMENSION			GLAND DIMENSION				
	A (UNDER ARMOUR DIA) MM	B (OVER ALL DIA) MM	ARMOUR DIAMETER MM	ENTRY THREAD		E (ACROSS FLAT) MM	F (ACROSS CORNER) MM	
				C				D (LENGTH)
				(ET)	(MM)			
10MM	8.0	9.5	0.8/1.4	1/2"	M20	24.0	20	22.5
12MM	12.0	15.0	0.8/1.4	5/8"	M20	24.0	20.0	22.8
16MM	12.0	16.0	0.8/1.4	3/4"	M20	24.0	21.0	24.0
19MM	14.0	17.5	0.8/1.4	3/4"	M25	24.0	24.5	28.0
22MM	14.0	19.0	0.8/1.4	3/4"	M25	24.0	27.0	31.0
25MM	18.5	23.0	0.8/1.4	1"	M20	24.0	31.0	35.0
28MM	21.5	26.0	0.8/1.4	1.1/8"	M25	24.0	34.5	38.5
32MM	27.0	31.0	0.8/1.4	1.1/4"	M25	24.0	40.0	46.0
35MM	30.0	35.0	0.8/1.4	1.3/8"	M32	24.0	42.0	48.0
38MM	32.0	38.0	0.8/1.4	1.1/2"	M32	24.0	47.0	54.0
45MM	38.0	46.0	0.8/1.4	1.3/4"	M40	24.0	56.5	64.0
50MM	46.0	49.0	0.8/1.4	2"	M40	24.0	59.0	67.0
57MM	48.0	57.0	0.8/1.4	2.1/4"	M32	24.0	65.0	75.0
63MM	56.0	60.0	0.8/1.4	2.1/2"	M40	24.0	75.0	86.0
70MM	63.0	68.0	0.8/1.4	2.3/4"	M50	24.0	82.5	94.0
75MM	68.0	76.0	0.8/1.4	3"	M50	24.0	85.0	98.0

Tolerance: +/- 2%

Double Compression Brass Cable Gland (For Armoured Cable)

Material : Brass

Finish : Bright Nickel Plated



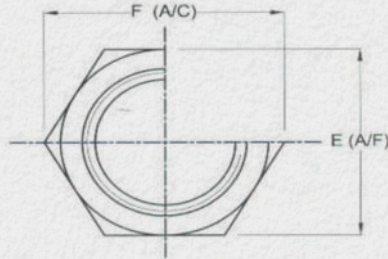
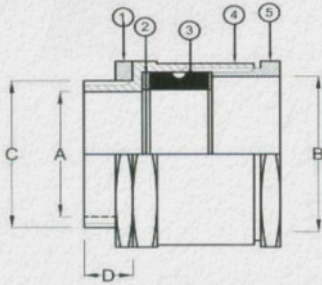
Product Code	Suitable for Cable	Dimensions					
SBW Series	Diameter	For SBW	A	B	C	E	E1
SBW - 01SS	6 TO 12	13	12.5	13	3/4"	21	24
SBW - 01S	12 TO 16.5	15	14.5	18	3/4"	25	29
SBW - 01	16.5 TO 18.5	15	14.5	19	3/4"	27.5	31.5
SBW - 01A	16.5 TO 18.5	15	14.5	19	1"	27.5	31.5
SBW - 02	18.5 TO 20	15	18	21	1"	30	34.5
SBW - 02A	18.5 TO 20	15	14.5	21	3/4"	30	34.5
SBW - 03	20 TO 23	15	19	23.5	1"	31.5	36
SBW - 04	23 TO 26	15	20.5	27	1"	36	41.5
SBW - 04A	23 TO 26	15	22	27	1.1/4"	36	41.5
SBW - 05	26 TO 30	15	25.5	31	1.1/4"	41	47
SBW - 05A	26 TO 30	15	27	31	1.1/2"	41	47
SBW - 06	30 TO 33	15	31	34.5	1.1/2"	47	54
SBW - 06A	30 TO 33	15	27	34.5	1.1/4"	47	54
SBW - 07	33 TO 37	15	32	38	1.1/2"	50	57
SBW - 08	37 TO 41	15	38.5	42.5	2"	56	64
SBW - 09	41 TO 46	15	40	47	2"	59	67
SBW - 010	46 TO 52	20	44	53	2"	67	77
SBW - 010A	46 TO 52	20	48	53	2.1/2"	67	77
SBW - 011A	52 TO 54	20	51	57	2.1/2"	72	83
SBW - 011	54 TO 61	20	56.5	62	2.1/2"	80	92
SBW - 012	61 TO 66	20	64	68	3"	85	98
SBW - 013A	66 TO 72	20	67	73	3"	89	103
SBW - 013	72 TO 78	20	74	80	3.1/4"	99	113
SBW - 014	78 TO 84	20	78	85	3.1/2"	105	121
SBW - 015	84 TO 94	20	90.5	97	4"	114	132
SBW - 016	94 TO 104	20	101	106	4.1/2"	130	149

Tolerance: +/- 2%

Single Compression Brass Cable Gland Heavy Duty (SIBG Type)

Material : Brass

Finish : Bright Nickel Plated



Sr.No.	Particulars	Material
1	Lock Nut	Brass
2	Metal Washer	MS
3	Sealing Ring	Neoprene / Nitrile
4	Gland Body Compression	Neoprene / Nitrile
5	Nut	Brass



Product Code	Suitable for Cable Diameter	Dimensions					
		A	B	C	D	E	F
SGP10001	6 TO 12.5	11.5	12.5	15.5	7.5	18	20.5
SGP10002	12.6 TO 14	12	15	15.5	8.5	22	25
SGP10003	14.1 TO 15.5	14.5	16.5	18.5	8	21	24
SGP10004	15.6 TO 16.5	14.5	17.5	19	8.5	23	26
SGP10005	16.5 TO 19	14.5	20	18.5	8.5	25	29
SGP10006	19.1 TO 22	20.5	23	25	9	29	33
SGP10007	22.1 TO 27	24	28	28.5	10.5	35	40
SGP10008	27.1 TO 31	27	32	31.5	11	40	46
SGP10009	31.1 TO 34.5	29.5	35.5	34.5	11	44	50
SGP10010	34.6 TO 38.5	33	39.5	38	11.5	47	54
SGP10011	38.5 TO 43.5	40	44.5	44	11.5	54	62
SGP10012	43.6 TO 50.5	45	51.5	50	13	60	69
SGP10013	50.6 TO 57	51.5	58	56.5	13	68	78
SGP10014	57.1 TO 61.5	57.5	62.5	63	14	72	82
SGP10015	61.6 TO 68	63.5	69	69	15	80	90
SGP10016	68.1 TO 74	68	75	75	16	87	99
SGP10017	74.1 TO 80.5	75	81.5	82	16	92	105
SGP10018	87.1 TO 100	81.5	86.5	88	16	102	115
SGP10019	100.1 TO 108	92	101	100	17	110	125
SGP10020		107	109	105	20	129.5	148

Tolerance: +/- 2%

PG Type Brass Cable Gland

Material : Brass
Finish : Bright Nickel Plated

Product Code	Suitable for Cable Diameter	
	MPG-7	2.0
MPG-9	3.0	-8.0
MPG-11	4.0	-10.0
MPG-13.5	5.0	-12.0
MPG-16	8.0	-14.0
MPG-21	12.0	-17.0
MPG-29	16.0	-25.0
MPG-36	20.0	-32.0
MPG-42	28.0	-37.0
MPG-48	32.0	-42.0

Tolerance: +/- 2%



PG Type Polymeric Cable Gland

Material : Polyamide

Product Code	Suitable for Cable Diameter	
	PG-7	2.0
PG-9	3.0	-8.0
PG-11	4.0	-10.0
PG-13.5	5.0	-12.0
PG-16	8.0	-14.0
PG-21	12.0	-17.0
PG-29	16.0	-25.0
PG-36	20.0	-32.0
PG-42	28.0	-37.0
PG-48	32.0	-42.0

Tolerance: +/- 2%



SHROUDS

Material : Black Polyvinylchloride High Grade Also in LSF & LSZH

Provides Additional Protection & enhances IP Rating of the Gland Termination.
Effective Solution to Weather and Corrosion Protection of a Cable Gland.
Available in same Gland Size.



EARTH TAG

Material : Brass

Means connecting or an earth bond around the Cable Gland.
Available in various shapes and all sizes.
Ensures earth continuity between the electric equipment and the Glands
Can be coated or plated as per customer specifications.



Single Compression Brass Cable Gland Medium Duty

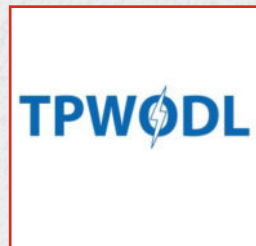
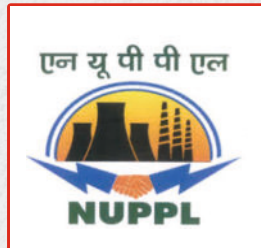
Material : Brass

Finish : Bright Nickel Plated



Sr.No.	Particulars	Material
1	Lock Nut	Brass
2	Metal Washer	MS
3	Sealing Ring	RUBBER
4	Gland Body Compression	Neoprene / Nitrile
5	Nut	Brass

OUR CLIENTELE



NOTE

A large rectangular area with horizontal dashed lines for writing notes.

LUGS & GLANDS

TRUSTED CONNECTIONS. SECURE SOLUTIONS.



SWASTIK POWER SUPPLY SYSTEMS

📍 32, Ezra Street, 3rd Floor, South Block,
Room No. 305-306, Kolkata 700 001 (W.B.)

✉ Email : info@swastiklugs.in, Web: www.swastiklugs.in

👤 **ADITYA** : 96504 23666, **ARIST** : 98303 90546

☎ Office Contact : 91473 67677, 87777 30297