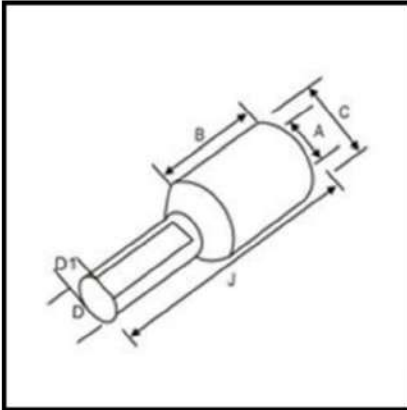




www.swastiklugs.in
spsslugs@yahoo.in

SWASTIK ALUMINIUM REDUCER TYPE TERMINAL



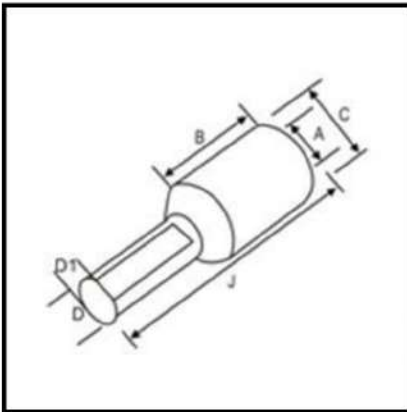
Area mm ²	Cable Size	A	C	D	D-1	B	K	G+H	J	Swastik Cat No.
2.5	3/1.06	2.0	5.5	4.5	4.0	7	4	10	21	SAR -01
2.5	3/1.06	2.6	5.5	3.8	3.3	7	4	10	21	SAR-07
4	7/0.85	2.9	5.5	4.5	4	7	4	10	21	SAR-15
4	7/0.85	2.9	5.5	3.8	3.3	7	4	10	21	SAR-16
6	1/2.8	3.5	5.5	4.5	4	7	4	10	21	SAR-17
6	1/2.8	3.5	5.5	3.8	3.3	7	4	10	21	SAR-18
10	1/3.55	3.8	6.2	4.5	4	9	4	10	23	SAR-19
10	1/3.55	3.8	6.2	3.8	3.3	9	4	10	23	SAR-20
10	7/1.4	4.4	7.4	4.5	4	9	4	10	23	SAR-21
10	7/1.4	4.4	7.4	3.8	3.3	9	4	10	23	SAR-22
16	7/1.7	5.4	8.3	6	5.5	13	5	15	33	SAR-23
16	7/1.7	5.4	8.3	6	5.5	13	5	20	38	SAR-24
16	7/2.24	5.4	8.3	3.8	3.3	13	5	13	31	SAR-02
25	7/2.24	7	10	6	5.5	16	5	15	36	SAR-25
25	7/2.5	7	10	7.5	6.5	16	5	20	41	SAR-03
35	19/1.8	8	10.8	7.5	6.5	18	5	20	43	SAR-04
50	19/1.8	9.2	13	7.5	6.5	22	5	20	47	SAR-26
50	19/1.24	10.4	14	14	13	22	7	24	53	SAR-05
70	19/2.24	11.6	16	7.5	6.5	26	5	20	51	SAR-27
70	19/2.24	11.6	16	11.5	10.5	26	5	25	56	SAR-06
70	19/2.24	11.6	16	11.5	10.5	26	5	32	63	SAR-28

Tolerance = ± 5%



www.swastiklugs.in
spsslugs@yahoo.in

SWASTIK ALUMINIUM REDUCER TYPE TERMINAL



Area mm ²	Cable Size	A	C	D	D-1	B	K	G+H	J	Swastik Cat No.
95	19/2.5	12.9	17.1	11.5	10.5	28	6	25	59	SAR-29
95	19/2.5	12.9	17.1	11.6	14	28	6	27	61	SAR-08
95	19/2.5	12.9	17.1	7.5	6.5	28	6	22	56	SAR-31
95	19/2.5	12.9	17.1	12.8	11.8	28	6	32	66	SAR-32
120	37/2.06	14.8	19.6	11.5	10.5	32	6	25	63	SAR-33
120	37/2.06	14.8	19.6	7.5	6.5	32	6	22	60	SAR-34
120	37/2.06	14.8	19.6	11.5	10.5	32	6	32	70	SAR-35
120	37/2.06	14.8	19.6	15.6	14	32	6	25	70	SAR-36
150	37/2.24	16.1	21.2	15.6	14	34	6	32	72	SAR-10
150	37/2.24	16.1	21.2	11.5	10.5	34	6	32	72	SAR-37
185	37/2.5	18	23.7	15.6	14	36	6	32	74	SAR-30
185	37/2.5	18	23.7	11.5	10.5	36	6	32	74	SAR-38
225	37/2.8	20.6	27	15.6	14	40	8	32	80	SAR-39
225	37/2.8	20.6	27	21	18	40	8	42	90	SAR-46
225	37/2.8	20.6	27	16	15	40	8	42	90	SAR-42
240	61/2.24	22	28	16	15	44	8	42	94	SAR-44
240	61/2.24	22	28	15.6	14	44	8	32	84	SAR-43
300	61/2.5	24	31	16	15	47	8	42	97	SAR-45
300	61/2.5	24	31	15.6	14	47	8	32	87	SAR-47
400	61/3.00	28	36	21	20	50	10	52	112	SAR-49
400	61/3.00	28	36	23.8	22	50	10	54	114	SAR-50

Tolerance = ± 5%