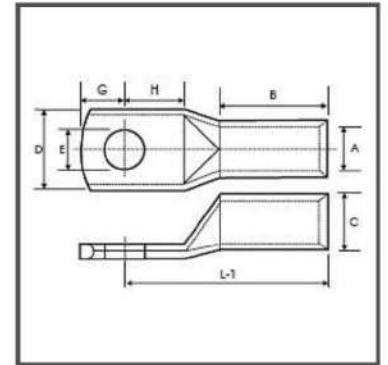




www.swastiklugs.in
spsslugs@yahoo.in

SWASTIK COPPER TUBE TERMINALS HEAVY DUTY



Size mm ²	E	A	C	D	F	B	K	H	G	L-1	J	Swastik Cat No.
1.5	5.2	1.8	3.7	8	1.0	5	2	5	4	12	16	SCS-538
1.5	6.5	1.8	3.7	10	0.8	8	2	6	5	13	18	SCS-539
2.5	4.2	2.4	4.0	8	1.0	7	2	5	4	14	18	SCS-388
2.5	5.2	2.4	4.0	10	0.8	7	2	6	5	15	20	SCS-540
2.5	6.5	2.4	4.0	10	0.8	7	2	6	5	15	20	SCS-541
4	5.2	3.1	4.8	10	1.0	7	2	6	5	15	20	SCS-389
4	6.5	3.1	4.8	10	1.0	7	2	6	5	15	20	SCS-543
6	5.2	3.8	5.5	10	1.2	9	3	6	5	18	23	SCS-390
6	6.5	3.8	5.5	12	1.0	9	3	9	6	21	27	SCS-544
6	8.4	3.8	5.5	12	1.0	9	3	9	6	21	27	SCS-545
10	6.5	4.5	6.2	12	1.2	9	3	7	6	19	25	SCS-353
10	8.4	4.5	6.2	12	1.2	9	3	9	6	21	27	SCS-547
16	6.5	5.4	7.1	12	1.4	12	4	7	7	23	30	SCS-354
16	8.4	5.4	7.1	12	1.4	12	4	9	7	25	32	SCS-549
20	8.4	6.0	7.1	12	1.7	12	4	9	7	25	32	SCS-550
25	6.5	6.8	8.8	13	2.0	12	4	7	7	23	30	SCS-355
25	8.4	6.8	8.8	18	1.4	12	4	11	10	27	37	SCS-551
25	10.5	6.8	8.8	18	1.4	12	4	11	10	27	37	SCS-552
35	6.5	8.2	10.6	15	2.4	12	5	9	9	26	35	SCS-542
35	8.4	8.2	10.6	15	2.4	12	5	9	9	26	35	SCS-356
35	10.5	8.2	10.6	18	2.0	12	5	11	10	28	38	SCS-554

MATERIAL : COPPER : 1897
FINISH : ELECTRO TINNED

Tolerance = ± 5%



www.swastiklugs.in
spsslugs@yahoo.in

SWASTIK COPPER TUBE TERMINALS HEAVY DUTY

Size mm ²	E	A	C	D	F	B	K	H	G	L-1	J	Swastik Cat No.
50	8.4	9.5	12.4	18	2.9	16	6	11	10	33	43	SCS-357
50	10.5	9.5	12.4	18	2.9	16	6	11	10	33	43	SCS-556
70	8.4	11.2	14.7	21	3.5	18	7	13	12	38	50	SCS-557
70	10.5	11.2	14.7	21	3.5	18	7	13	12	38	50	SCS-558
70	13.0	11.2	14.7	21	3.5	18	7	13	12	38	50	SCS-559
95	10.5	13.5	17.4	25	3.9	20	9	13	13	42	55	SCS-359
95	13.0	13.5	17.4	25	3.9	20	9	13	13	42	55	SCS-561
120	13.0	15.0	19.4	28	4.4	22	10	14	14	46	60	SCS-241
120	17.0	15.0	19.4	28	4.4	22	10	16	16	48	64	SCS-546
150	13.0	16.5	21.2	30	4.7	26	11	16	16	53	69	SCS-242
150	17.0	16.5	21.2	30	4.7	26	11	16	16	53	69	SCS-564
185	17.0	18.5	23.5	34	5.0	32	12	17	17	61	78	SCS-243
240	17.0	21.0	26.5	38	5.5	38	14	20	20	72	92	SCS-244
240	21.0	21.0	26.5	38	5.5	38	14	20	20	72	92	SCS-567
300	17.0	23.5	30	43	6.5	42	15	22	22	79	101	SCS-245
300	21.0	23.5	30	43	6.5	42	15	22	22	79	101	SCS-569
400	17.0	28.5	36.5	53	8.0	44	18	26	26	88	114	SCS-246
400	21.0	28.5	36.5	53	8.0	44	18	26	26	88	114	SCS-571
500	17.0	30	39	56	9.0	48	20	28	28	96	124	SCS-596
500	21.0	30	39	56	9.0	48	20	28	28	96	124	SCS-247
550	21.0	31.7	41.5	59	9.7	52	20	30	30	102	132	SCS-573
630	21.0	35	45	65	10	56	22	33	33	111	144	SCS-248
800	–	39	50.6	73	11.6	78	17	40	35	135	170	SCS-599
1000	–	43	56.2	81	13.2	90	20	45	45	155	200	SCS-590

MATERIAL : COPPER : 1897
FINISH : ELECTRO TINNED

Tolerance = ± 5%