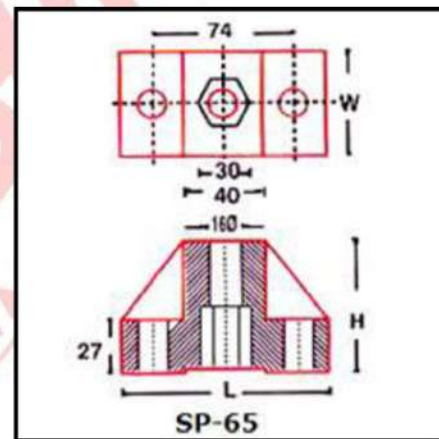
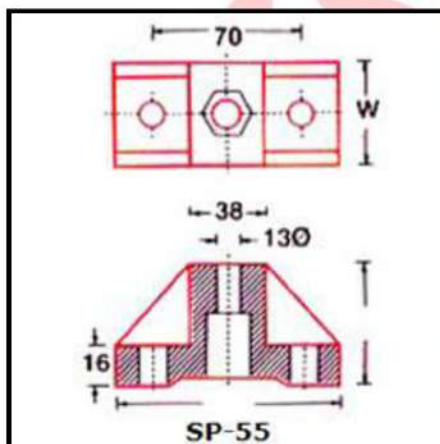
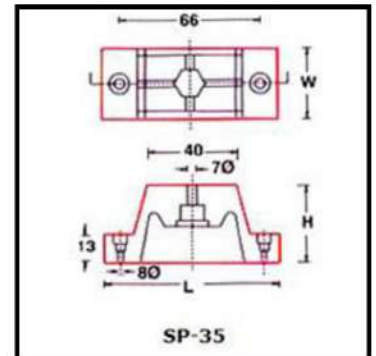
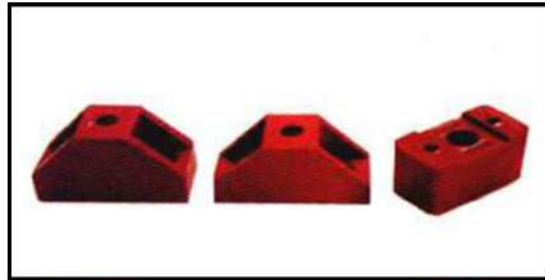
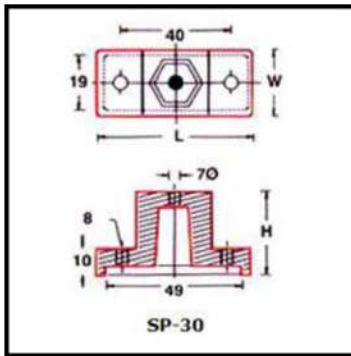




www.swastiklugs.in
spsslugs@yahoo.in

SP Type



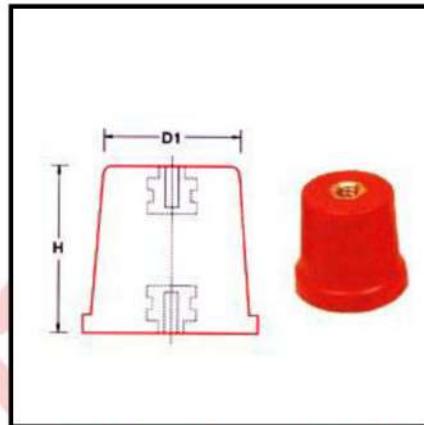
CAT NO. SP SERIES	BOTTOM WIDTH W	LENGTH L	HEIGHT H	SUITABLE FOR BOLT SIZE
SP -30	25	55	30	06 mm
SP -35	39	87	35	08 mm
SP -55	50	110	55	12 mm
SP - 65	52	110	65	16 MM

Tolerance = $\pm 5\%$



www.swastiklugs.in
spsslugs@yahoo.in

CONICAL TYPE



CAT. NO.	-Top Dia-D1	Bottom Dia-D2 Flat to Flat	-Height H	-Brass bush size
CAT. NO.	-Top Dia-D1	Bottom Dia-D2 Flat to Flat	-Height H	-Brass bush size

CONICAL SERIES

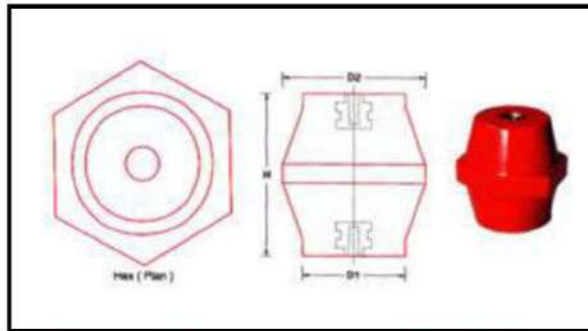
C3030	28	33	30	M6
CC4040	33	40	40	M8,5/16"
CC5050	40	50	50	M10,3/8"
CC5060	40	50	60	M12,1/2"
CC5070	40	50	70	M12,1/2"

Tolerance = $\pm 5\%$



www.swastiklugs.in
spsslugs@yahoo.in

HEX TYPE



HEX SERIES

CAT. NO.	-Top Dia-D1	Bottom Dia-D2 Flat to Flat	-Height H	-Brass bush size
H630	25	33	30	M6
H635	26	35	35	M6
H840	30	40	40	M8
H845	30	40	45	M8
H1050	35	45	50	M12

Tolerance = $\pm 5\%$