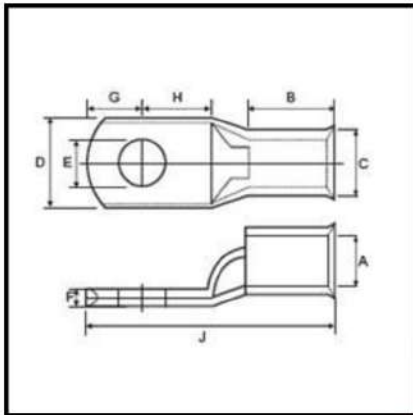




www.swastiklugs.in
spsslugs@yahoo.in

Swastik Compression type bimetallic terminal ends with conducting corrosion inhibiting compound



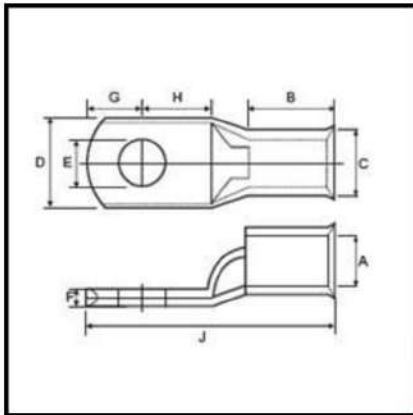
SIZE mm ²	E BOLT MM ϕ	ϕa	ϕC	D	F	B	K	G+H	J	SWASTIK'S Cat No.
10	M6	4.4	7.4	10.0	2.8	9	4	17	30	SBL-1
	M8			12.5	1.8					SBL-2
16	M6	5.4	8.3	11.0	2.9	13	4	20	37	SBL-3
	M8			11.0	2.9					SBL-4
25	M8	7.0	10.0	14.0	3.0	16	7	21	44	SBL-5
	M10			20.0	1.7					SBL-6
35	M8	8.0	10.8	15.0	2.8	18	7	22	47	SBL-7
	M10			20.0	2.1					SBL-8
50	M8	9.3	13.0	18.0	3.7	22	8	24	54	SBL-9
	M10			23.0	2.8					SBL-10
70	M10	11.6	16.0	22.0	4.4	26	8	26	60	SBL-11
	M12									SBL-12
95	M10	12.9	17.1	25.0	4.2	28	8	28	64	SBL-13
	M12									SBL-14
12	M10	14.8	19.6	28.0	4.8	32	11	30	73	SBL-15
	M12									SBL-16
150	M12	16.1	21.2	31.0	5.1	34	11	34	79	SBL-17
	M16									SBL-18
185	M12	18.0	23.7	34.0	5.7	36	12	36	84	SBL-19
	M16									SBL-20

Tolerance = $\pm 5\%$



www.swastiklugs.in
spsslugs@yahoo.in

Swastik Compression type bimetallic terminal ends with conducting corrosion inhibiting compound



SIZE mm ²	E BOLT MM ϕ	ϕa	ϕC	D	F	B	K	G+H	J	SWASTIK'S Cat No.
225	M12	20.6	27.3	39.0	6.4	40	14	40	94	SBL-21
240	M12	22.0	28.0	40.0	6.0	44	14	44	102	SBL-22
	M16									SBL-23
300	M16	24.0	31.0	45.7	7.0	47	14	47	115	SBL-24
	M20									SBL-25
400	M20	28.0	36.0	51.0	8.0	56	13	56	130	SBL-26
500	M20	30.0	41.0	58.0	11.0	60	15	60	140	SBL-27
630	M20	35.0	46.0	66.0	11.0	69	16	69	154	SBL-28
800		39	51.0	73.0	12.0	77.0	25	78	180	SBL-29
1000		43.5	57.0	81.0	13.5	100.0	30	90	220	SBL-30

Tolerance = $\pm 5\%$